

# SILGRANIT®

## Double Bowl 60/40 Undermount

### Product Specifications

L U X A R T.

#### MODELS

- LX441128 Double Bowl, 9-1/2" bowl depths, ANTHRACITE
- LX441129 Double Bowl, 9-1/2" bowl depths, CAFÉ BROWN
- LX441125 Double Bowl, 9-1/2" bowl depths, WHITE
- LX441127 Double Bowl, 9-1/2" bowl depths, BISCUIT
- LX441130 Double Bowl, 9-1/2" bowl depths, METALLIC GRAY
- LX441298 Double Bowl, 9-1/2" bowl depths, BISCOTTI
- LX441296 Double Bowl, 9-1/2" bowl depths, TRUFFLE
- LX441479 Double Bowl, 9-1/2" bowl depths, CINDER



Model LX441128 shown in ANTHRACITE

#### FEATURES

- Required outside cabinet: 36"
- 80% solid granite
- Heat resistant up to 536°F
- Unsurpassed cleanability backed by industry leading 7 patents!
- Resistant to scratches, stains and all household acids and alkali solutions
- Template provided with approximate 1/8" reveal
- Undermount clips included
- Limited lifetime warranty

#### OPTIONAL ACCESORIES

- Blanco Sink Grid (left bowl): 516364
- Blanco Sink Grid (right bowl): 516366

#### CODE/STANDARDS COMPLIANCE

ANSI Z124.6-97  
IAPMO/UPC listed

#### NOMINAL DIMENSIONS

OVERALL	CUTOUT SIZE	BOWL DEPTH		DRAIN DIAMETER
		LEFT	RIGHT	
33"X18"	Template provided with approximate 1/8" reveal	9-1/2"	9-1/2"	3-1/2"

DFX cutout templates available on our website

Contact your sales representative for more information or visit our website at [luxartcollection.com](http://luxartcollection.com)

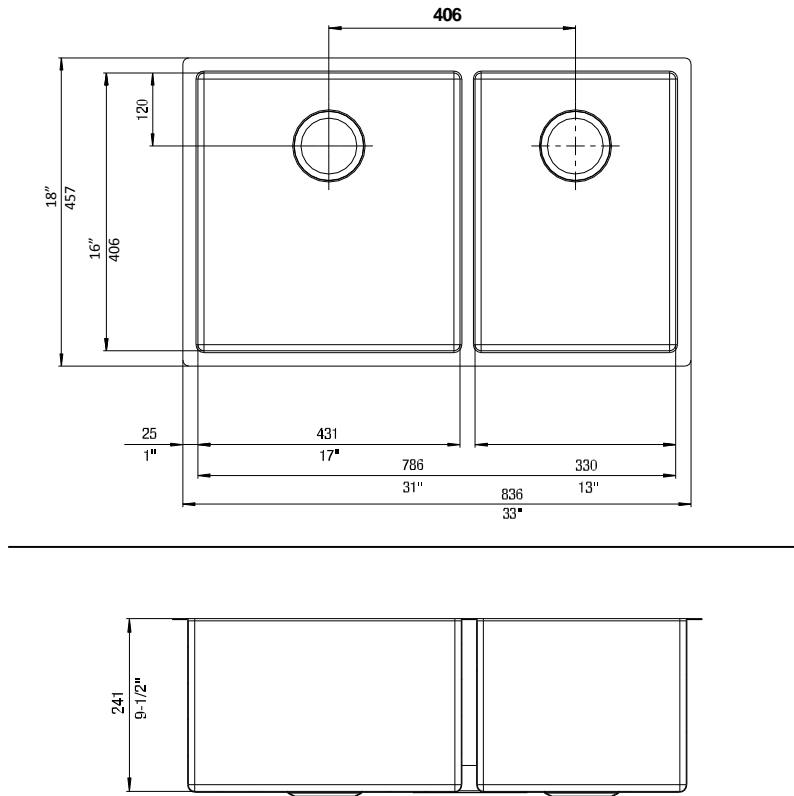
Revised 03-2017

SILGRANIT®

# Double Bowl 60/40 Undermount

Product Specifications

LUXART®



Contact your sales representative for more information or visit our website at [luxartcollection.com](http://luxartcollection.com)

Revised 03-2017