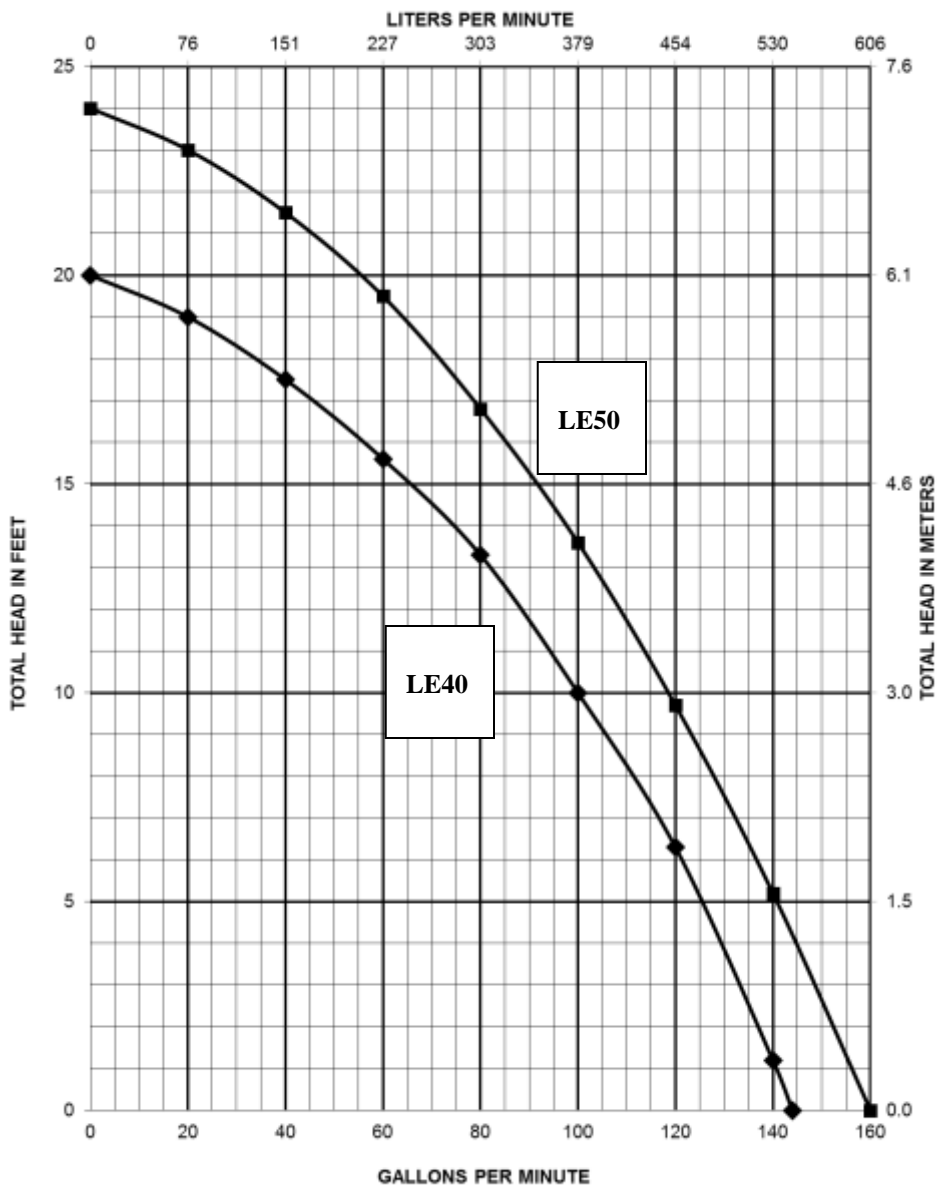
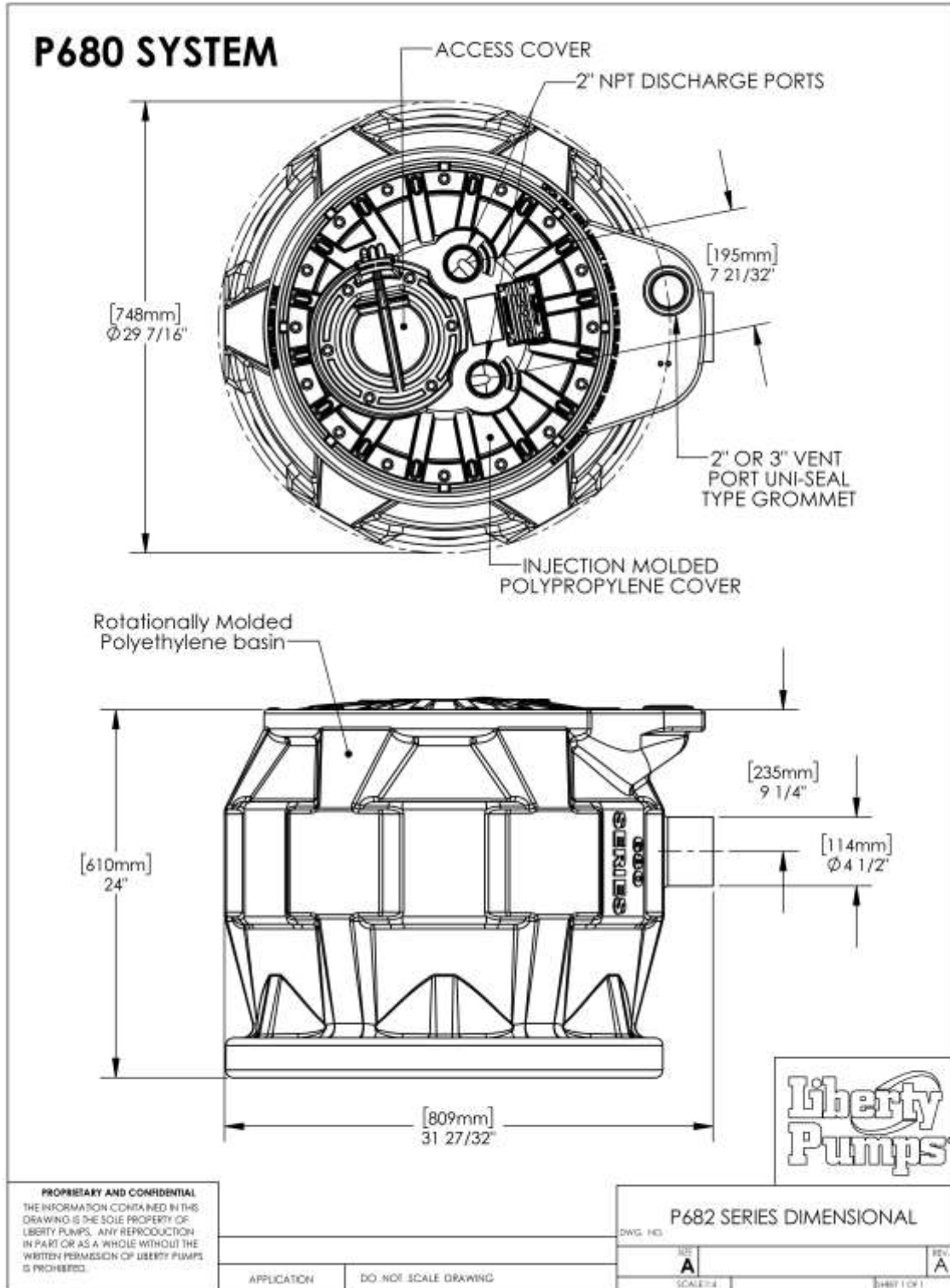


Product Specifications

Pro 680 - Series Duplex Sewage Packages with LE40/LE50 Series Pumps

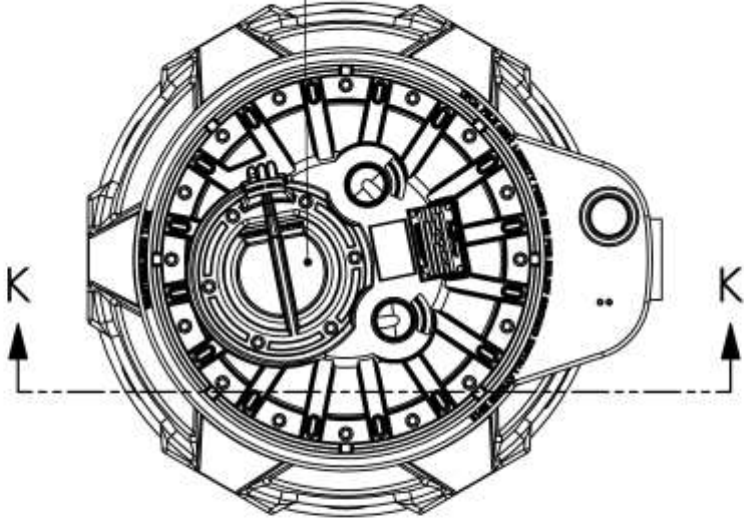


Pro 680 Series Dimensional Data

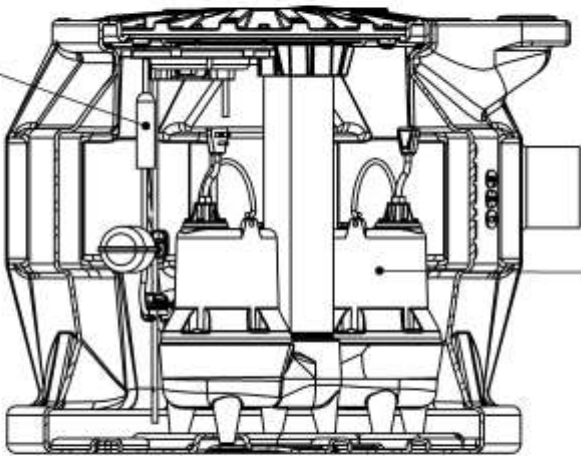


P680 SYSTEM

ACCESS COVER



QUICK TREE
FLOAT SYSTEM
ALLOWS
REMOVAL OF
FLOATS WITHOUT
PULLING THE
PUMP



(2) LE41M MODEL
SHOWN IN THIS
VIEW

SECTION K-K
SCALE 1 : 8



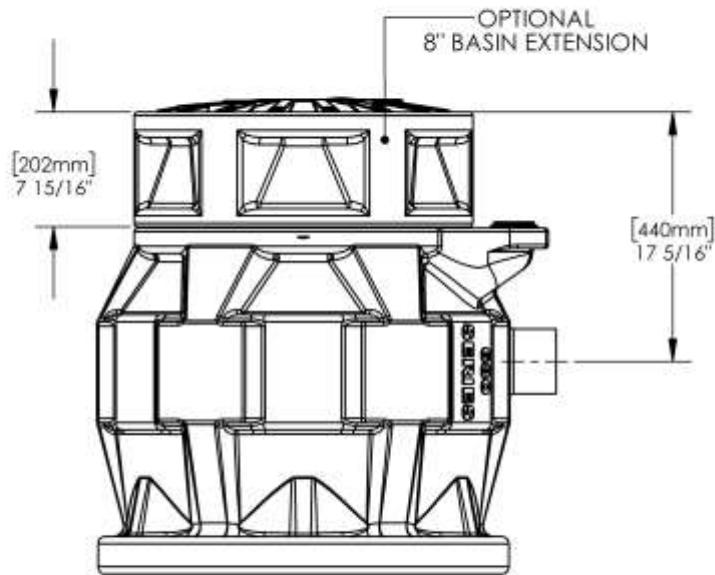
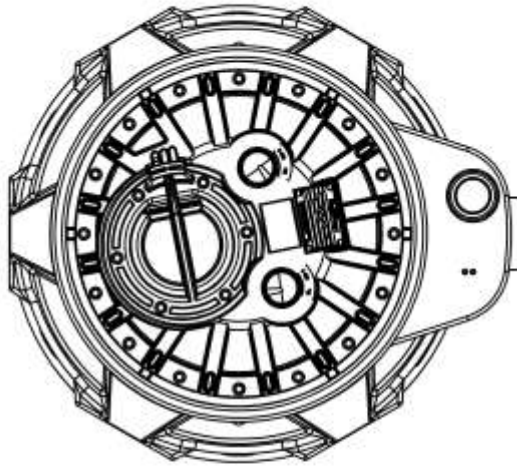
PROPRIETARY AND CONFIDENTIAL
THE INFORMATION CONTAINED IN THIS
DRAWING IS THE SOLE PROPERTY OF
LIBERTY PUMPS. ANY REPRODUCTION
IN PART OR AS A WHOLE WITHOUT THE
WRITTEN PERMISSION OF LIBERTY PUMPS
IS PROHIBITED.

APPLICATION	DO NOT SCALE DRAWING
-------------	----------------------

P682 SERIES DIMENSIONAL	
DWG. NO.	REV. A
REV. A	REV. A
SCALE 1:4	SHEET 1 OF 1



P680 SYSTEM



PROPRIETARY AND CONFIDENTIAL
 THE INFORMATION CONTAINED IN THIS DRAWING IS THE SOLE PROPERTY OF LIBERTY PUMPS. ANY REPRODUCTION IN PART OR AS A WHOLE WITHOUT THE WRITTEN PERMISSION OF LIBERTY PUMPS IS PROHIBITED.

P682 SERIES DIMENSIONAL

DWG. NO.

REV. **A**

REV. **A**

APPLICATION

DO NOT SCALE DRAWING

SCALE: 1:1

SHEET 1 OF 1

P680 Series Electrical Data

MODEL	HP	VOLTAGE	PHASE	SF	FULL LOAD AMPS	LOCKED ROTOR AMPS	THERMAL OVERLOAD TEMP	STATOR WINDING CLASS	DISCHARGE	AUTOMATIC SYSTEM
P682XLE41	4/10	115	1	1.00	12	22.5	105°C 221°F	B	2"	YES
P682XLE41-2	4/10	115	1	1.00	12	22.5	105°C 221°F	B	2"	YES
P682XLE41W	4/10	115	1	1.00	12	22.5	105°C 221°F	B	2"	YES (Outdoor Panel)
P682XLE41W-2	4/10	115	1	1.00	12	22.5	105°C 221°F	B	2"	YES (Outdoor Panel)
P682XLE51	1/2	115	1	1.00	12	22.5	105°C 221°F	B	2"	YES
P682XLE51-2	1/2	115	1	1.00	12	22.5	105°C 221°F	B	2"	YES
P682XLE51W	1/2	115	1	1.00	12	22.5	105°C 221°F	B	2"	YES (Outdoor Panel)
P682XLE51W-2	1/2	115	1	1.00	12	22.5	105°C 221°F	B	2"	YES (Outdoor Panel)
P682XLE52	1/2	208-230	1	1.00	6.8	12	105°C 221°F	B	2"	YES
P682XLE52-2	1/2	208-230	1	1.00	6.8	12	105°C 221°F	B	2"	YES
P682XLE52W	1/2	208-230	1	1.00	6.8	12	105°C 221°F	B	2"	YES (Outdoor Panel)
P682XLE52W-2	1/2	208-230	1	1.00	6.8	12	105°C 221°F	B	2"	YES (Outdoor Panel)

P680 Series Technical Data

TANK	UPC LISTED POLYETHYLENE BASIN MEETS IAPMO PS52 10' STACK TEST
COVER	POLYPROPYLENE (HDPE FOR SIDE DISCHARGE MODEL)
GUIDE RAIL	NONE – PUMPS PULL OUT WITH COVER
INLET HUB	INCORPORATED INTO TANK
DISCHARGE PIPE	SCHEDULE 80 PVC
CONTROLS	PDC CONTROL – P680 SYSTEMS
IMPELLER	ENGINEERED THERMOPLASTIC
SOLIDS HANDLING SIZE	2"
PAINT	POWDER COAT
MAX LIQUID TEMP	60°C 140°F
THERMAL OVERLOAD	105°C 221°F
POWER CORD TYPE	SJTW
MOTOR HOUSING	CAST IRON
VOLUTE	CAST IRON
SHAFT	STAINLESS STEEL
HARDWARE	STAINLESS STEEL
ORINGS	BUNA N
MECHANICAL SEAL	UNITIZED CERAMIC CARBON

WARRANTY

Standard limited warranty shall be 3 years.