

### Features

- Single-function Rain showerhead.
- MasterClean™ spray nozzles prohibit mineral buildup for easy cleaning.
- Katalyst™ Spray Technology with air induction ball joint.
- Optimized sprayface for maximum performance.
- 2.5 gallon (9.5 L) per minute flow rate.

### Material

- Solid brass construction.

### Installation

- 1/2" - 14 NPT connection.



### Codes/Standards

ASME A112.18.1/CSA B125.1  
DOE - Energy Policy Act 1992

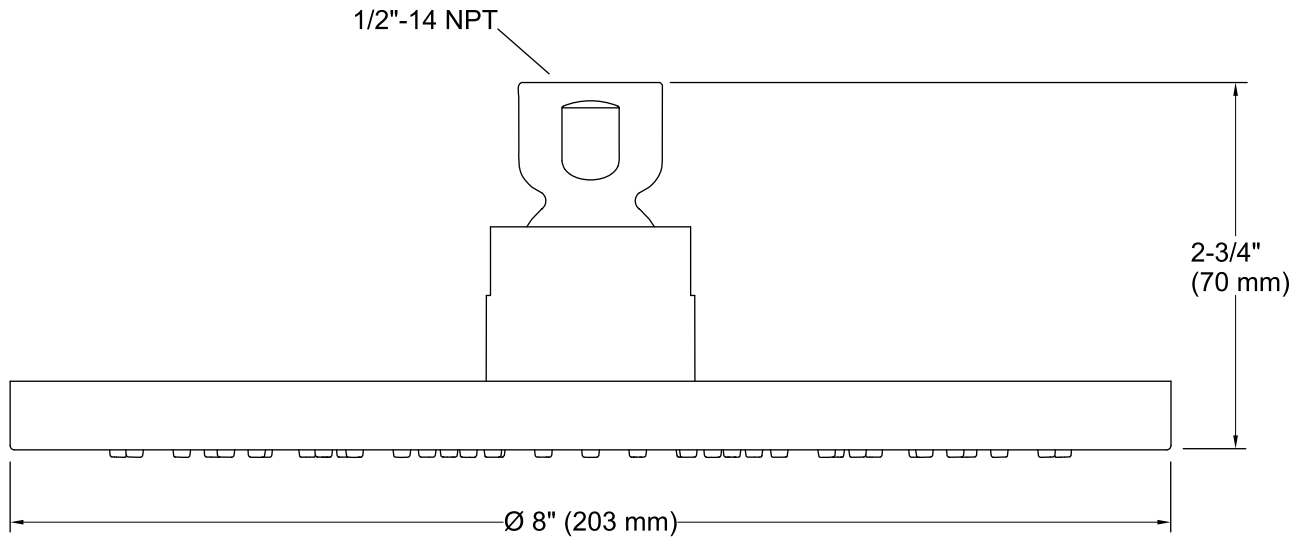
### KOHLER® Faucet Lifetime Limited Warranty

See website for detailed warranty information.

### Available Colors/Finishes

*Color tiles intended for reference only.*

| Color  | Code | Description                   |
|--|------|-------------------------------|
|  | CP   | Polished Chrome               |
|  | SN   | Vibrant® Polished Nickel      |
|  | BGD  | Vibrant® Moderne Brushed Gold |
|  | BN   | Vibrant® Brushed Nickel       |
|  | BV   | Vibrant® Brushed Bronze       |
|  | BL   | Matte Black                   |
|  | RGD  | Vibrant Rose Gold             |
|  | TT   | Titanium                      |



**Technical Information**

All product dimensions are nominal.

**Showerhead/Body Spray:**

Rated maximum flow: 2.5 gal/min (9.5 l/min)

**Notes**

Install this product according to the installation guide.