



**Iron/Tones®**  
 Top-/Under-Mount Kitchen Sink  
**K-6584**

**Features**

- 18-inch minimum base cabinet width.
- Single bowl.
- 7-1/2-inch depth.
- No faucet holes.

**Material**

- KOHLER® enameled cast iron.

**Installation**

- Top-mount or under-mount.

**Recommended Products/Accessories**

- K-9000 P-Trap
- K-5184 Stainless steel sink rack, 12-7/8" x 14-11/16"
- K-8801 Sink Strainer
- K-8799 Sink Strainer

**Optional Products/Accessories**

- K-3294 Cutting Board
- K-3277 Sink Basket

**Included Components**

Product consists of:  
 52047 Clamp Accessory Pack, 4 Ea.



**Codes/Standards**

ASME A112.19.1/CSA B45.2

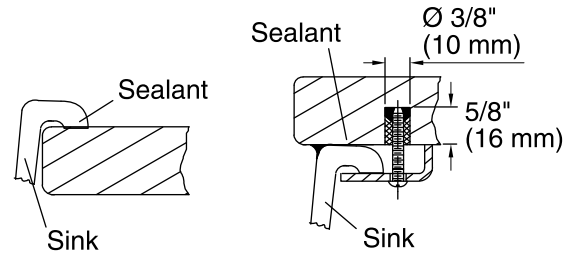
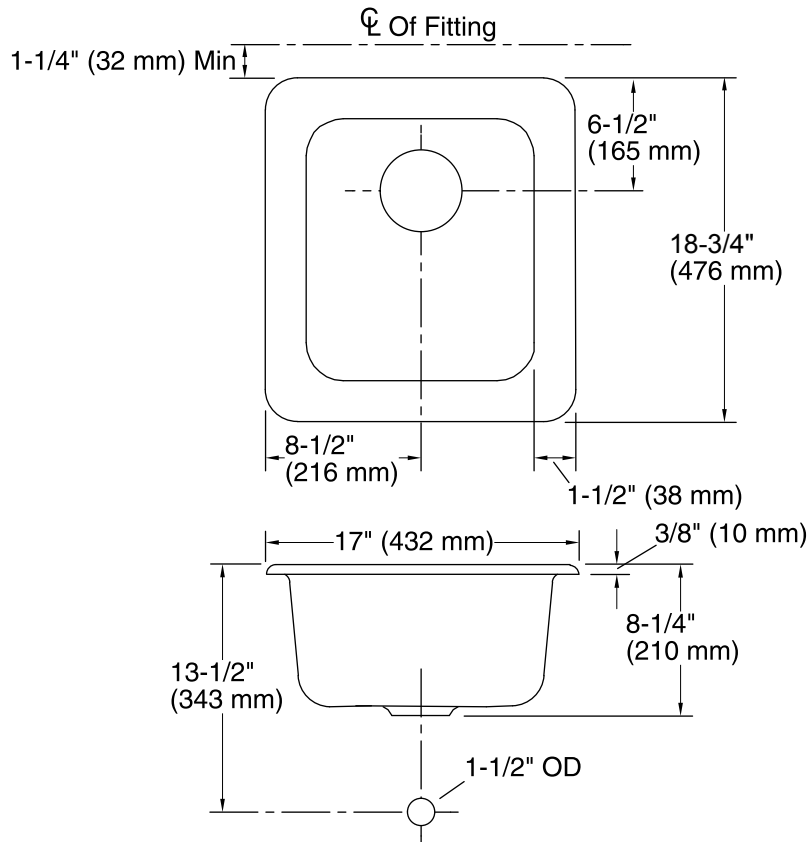
**KOHLER® Enameled Cast Iron Kitchen Sink Lifetime Limited Warranty**

See website for detailed warranty information.

**Available Colors/Finishes**

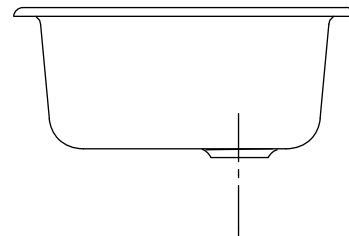
*Color tiles intended for reference only.*

Color	Code	Description
	0	White
	FF	Sea Salt™
	96	Biscuit
	47	Almond
	FD	Cane Sugar™
	NY	Dune
	Y2	Sunlight
	95	Ice™ Grey
	G9	Sandbar
	K4	Cashmere
	FT	Basalt
	58	Thunder™ Grey
	30	Iron Cobalt
	KA	Black 'n Tan
	FP	Caviar
	7	Black Black™
	97	Timberline™



**Top-Mount Installation**

**Under-Mount Installation**



### Technical Information

All product dimensions are nominal.

Bowl configuration:	Single
Installation:	Top-mount, Under-mount
Min. base cabinet width:	18" (457 mm)
Bowl area:	Length: 14" (356 mm) Width: 16" (406 mm) Bowl depth: 7-1/2" (191 mm)
Drain hole:	3-7/8" (98 mm)
Template:	114332-7, required, included

### Notes

Install this product according to the installation instructions.

Refer to install instructions included with fixture before beginning installation.

Supplied bowl clamp assemblies require 1" (25 mm) minimum countertop thickness. Installer must supply hardware for thinner countertops.

For multiple bowl under-mount installations, a minimum distance of 3-3/8" (86 mm) is required between bowls. Countertop supplier to determine required support.