



# Iron Plains® Oval Wading Pool®

Bathroom Sink

K-5403-P5

## Features

- Oval basin.
- No faucet holes; requires wall- or counter-mount faucet.
- Overflow drain.
- Iron Black painted underside.

## Material

- KOHLER® enameled cast iron.

## Installation

- Vessel



ADA

CSA B651

## Codes/Standards

ASME A112.19.1/CSA B45.2

ADA

ICC/ANSI A117.1

CSA B651

## Lifetime Limited Warranty for KOHLER® Cast Iron Components

See website for detailed warranty information.

## Available Colors/Finishes

*Color tiles intended for reference only.*

Color	Code	Description
	0	White
	FF	Sea Salt™
	96	Biscuit
	FD	Cane Sugar™
	NY	Dune
	G9	Sandbar
	KC	Vapour™ Blue
	KG	Vapour™ Green
	K4	Cashmere
	FT	Basalt
	20	Suede
	KA	Black 'n Tan
	7	Black Black™

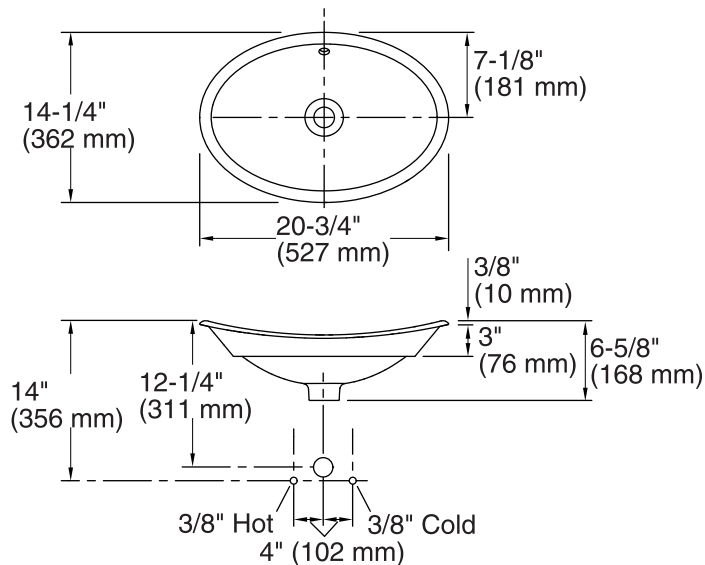
1-800-4KOHLER (1-800-456-4537)

Kohler Co. reserves the right to make revisions without notice to product specifications.

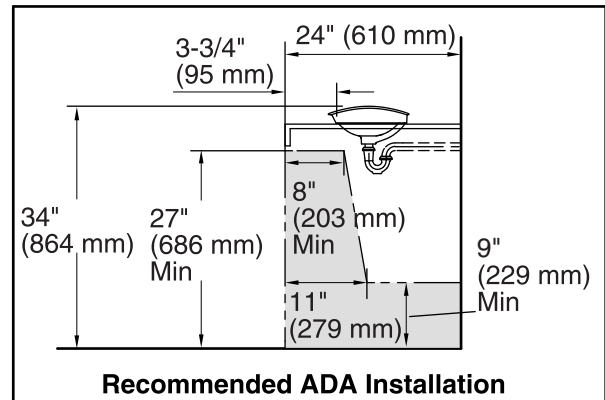
For the most current Specification Sheet, go to [www.kohler.com](http://www.kohler.com).

9-7-2019 11:25 - US/CA/MX

THE BOLD LOOK  
OF **KOHLER**®



**Standard Installation**



**Recommended ADA Installation**

### Technical Information

All product dimensions are nominal.

Bowl configuration:	Single
Installation:	Vessel
Bowl area:	Length: 19-3/4" (501 mm) Width: 13-1/4" (337 mm) Bowl depth: 4-15/16" (126 mm) With overflow: Yes Water depth: 2-1/4" (58 mm)
Template:	1222633-7, required, included

### Notes

Install this product according to the installation instructions.

**NOTICE:** Countertop manufacturer or cutter must use the cut-out template provided with the product, or a current one provided by Kohler Co. (call 1-800-4-KOHLER). Kohler Co. is not responsible for cutout errors when the incorrect cut-out template is used.

ADA, CSA B651 compliant when installed to the specific requirements of these regulations.