



# Rêve® Comfort Height®

one-piece elongated dual-flush toilet

## K-3797

### Features

- One-piece toilets integrate the tank and bowl into a seamless, easy-to-clean design.
- Compact elongated bowl offers added comfort while occupying the same space as a round-front bowl.
- Two-button flush offers a choice of .8 or 1.6 gallons per flush (gpf).
- Skirted trapway facilitates easy cleaning and enhances design.
- Includes Rêve seat with Quiet-Close™ functionality.
- Coordinates with other products in the Rêve collection.

### Technology

- Dual-flush technology allows you to choose between a full- or partial-flush.

### Installation

- 12-inch rough-in.
- Supply line not included.

### Water Conservation & Rebates

- WaterSense® toilets meet strict EPA flushing guidelines, including using at least 20 percent less water than 1.6-gallon toilets.
- Eligible for consumer rebates in some municipalities.

### Recommended Products/Accessories

- K-9384 Dual-flush Actuator
- 1023457 Wax Ring/Hardware Kit
- 1265114 Connector Hose

### Included Components

- Additional Components:
- Dual flush push buttons
  - Installation kit
  - Installation template
  - Tank accessory pack
  - Tank cover
  - Toilet seat



### Codes/Standards

- ASME A112.19.2/CSA B45.1
- ASME A112.19.14
- DOE - Energy Policy Act 1992
- EPA WaterSense®

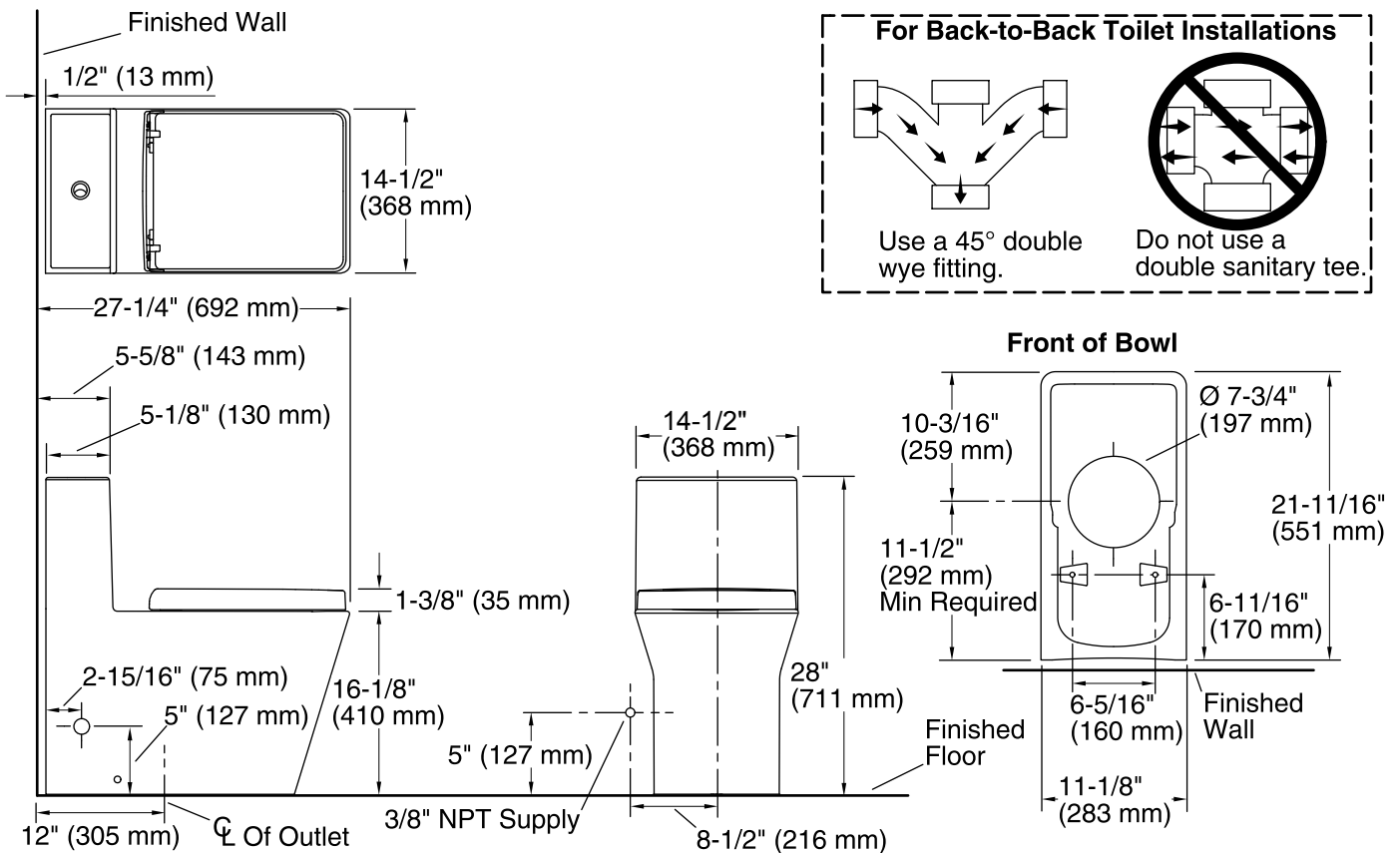
### KOHLER® One-Year Limited Warranty

See website for detailed warranty information.

### Available Colors/Finishes

*Color tiles intended for reference only.*

Color	Code	Description
	0	White
	HW1	Honed White
	96	Biscuit
	47	Almond



### Technical Information

All product dimensions are nominal.

Toilet type:	One-piece, Floor-mount
Waste Outlet:	Floor
Bowl shape:	Elongated
Trap passageway:	2-1/8" (54 mm)
Water Consumption	
Full:	1.6 gpf (6 lpf)
Reduced:	0.8 gpf (3 lpf)
Water surface size:	4-1/8" x 5-1/2" (105 mm x 140 mm)
Rough-in:	12" (305 mm)
Seat-mounting holes:	7-7/8" (200 mm)

### Notes

Install this product according to the installation instructions.

For back-to-back toilet installations: Use only a 45° double wye fitting.