

Features

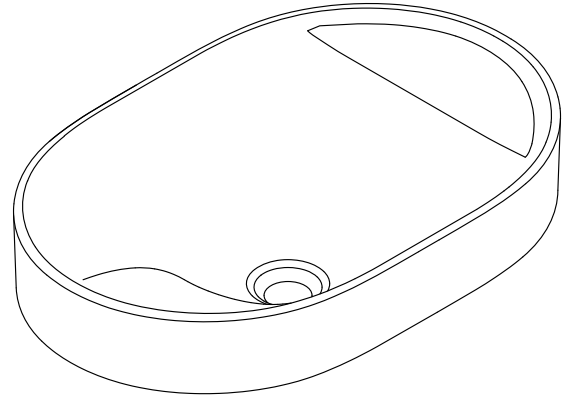
- Elongated oval basin.
- With overflow.
- Storage deck provides a convenient, dry space to set small items.
- No faucet holes; requires wall- or high deck-mount faucet.
- Color matches seamlessly with other KOHLER® products.
- Color-matched drain cover sold separately.

Material

- Vitreous china.

Installation

- Vessel.



ADA

Codes/Standards

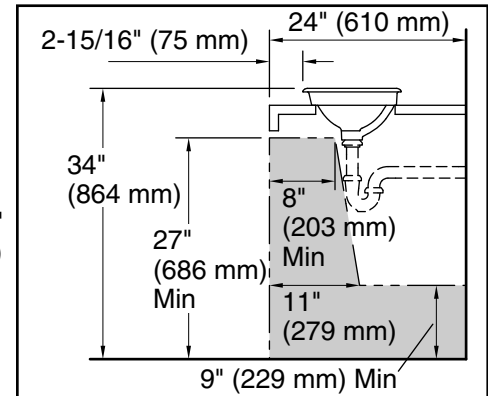
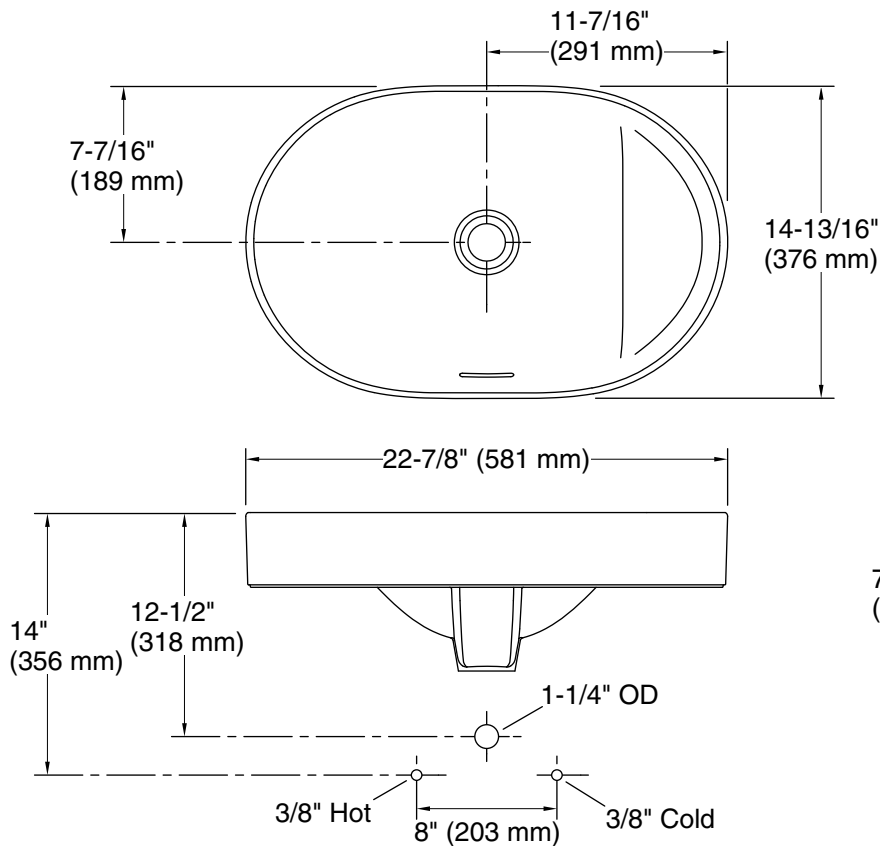
ASME A112.19.2/CSA B45.1

ADA

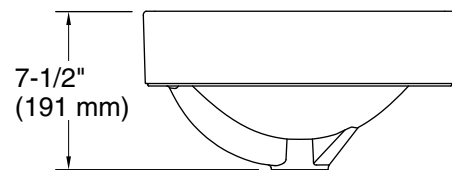
ICC/ANSI A117.1

KOHLER® One-Year Limited Warranty

See website for detailed warranty information.



Recommended ADA Installation



Technical Information

All product dimensions are nominal.

Installation: Vessel
 Drain hole: 1-3/4" (45 mm)
 Template: Above-counter, 1507716-7, required, not included

Notes

Install this product according to the installation instructions.

ADA compliant when installed to the specific requirements of these regulations.