

Features

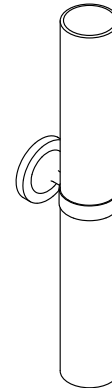
- Rounded glass shades connect with tube attachments and metal bases in contemporary designs fit for any room.
- Coordinates with faucets and accessories in the Purist collection.
- Requires two bulbs with medium (E26) base; T10 bulb recommended (sold separately).
- Suitable for damp locations, per UL 1598.

Material

- Premium metal and glass construction.
- Manufactured with quality materials and complemented with a meticulous finishing process.
- Durable finishes engineered to last and designed to coordinate with KOHLER faucet finishes.

Installation

- Installation hardware included.



Codes/Standards

UL 1598
CSA C22.2 No. 250

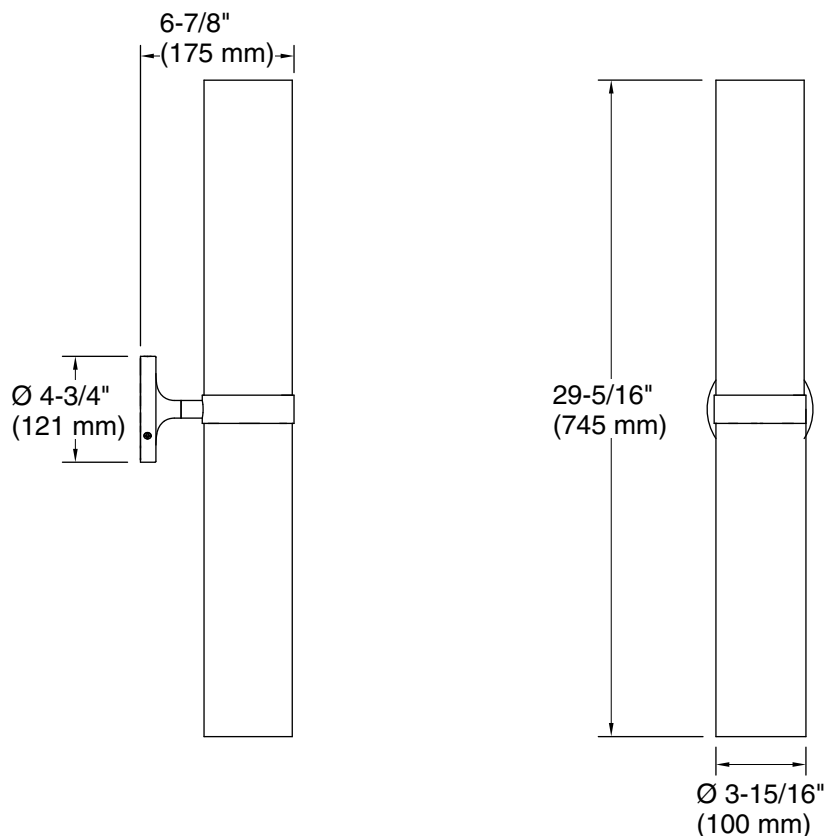
KOHLER® Indoor Lighting Fixtures Limited Warranty

See website for detailed warranty information.

Available Colors/Finishes

Color tiles intended for reference only.

Color	Code	Description
	SNL	Polished Nickel
	BNL	Brushed Nickel
	CPL	Polished Chrome
	BLL	Matte Black
	2GL	Brushed Moderne Brass
	BVL	



Required Electrical Service

One circuit required.

120 V, 60 Hz

Technical Information

All product dimensions are nominal.

Material: Steel, Glass
Number of Lights: 2
Lighting Type: Socket-based
Socket Type: E-26 Medium
Number of Shades: 2
Shade Type: Glass - clear