

Features

- Oval basin.
- No faucet holes; requires wall- or counter-mount faucet.
- Available in Mirror French Gold or Satin Bronze finish.

Material

- 20-gauge stainless steel.

Installation

- Under-mount

Recommended Products/Accessories

K-7114 Pop-Up Drain
K-7127 Drain
K-7129 Drain
K-8998 P-Trap

Included Components

Additional Components:
1 193643 Basin clamps
drain gasket
tube



ADA

Codes/Standards



ASME A112.19.3/CSA B45.4
ADA
ICC/ANSI A117.1

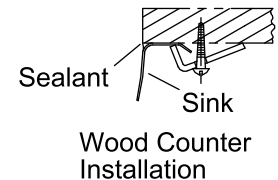
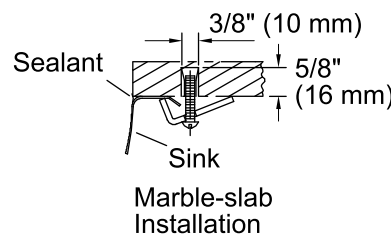
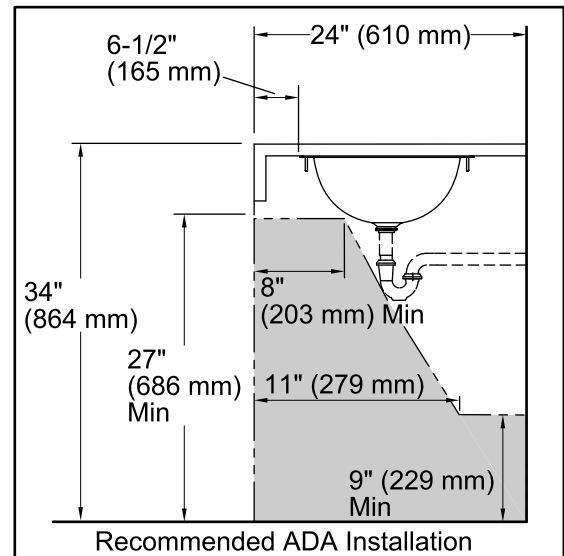
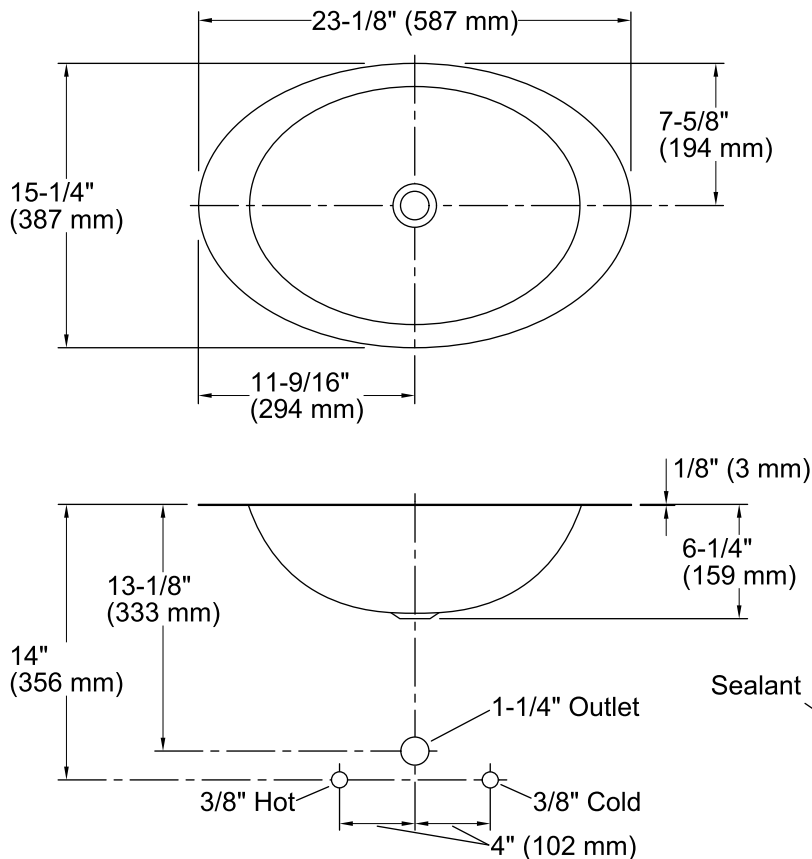
KOHLER® One-Year Limited Warranty

See website for detailed warranty information.

Available Colors/Finishes

Color tiles intended for reference only.

Color	Code	Description
	MF	Mirror French Gold
	SBV	Satin Bronze



Technical Information

All product dimensions are nominal.

Bowl configuration:	Single
Installation:	Under-mount
Bowl area (Only):	Length: 18" (457 mm) Width: 13" (330 mm) Water depth: 5-7/8" (149 mm)
Drain hole:	1-5/8" (41 mm)
Template:	1000258-7, required, included

Notes

Install this product according to the installation instructions.

Supplied basin clamp assembly requires 3/4" (19 mm) minimum countertop thickness. Installer must supply anchors for thinner countertops.

NOTICE: Countertop manufacturer or cutter must use the cut-out template provided by Kohler Co. (call 1-800-4-KOHLER). Kohler Co. is not responsible for cut out errors when the incorrect cut out template is used.

Waterproof the unprotected overhang area of the underside of the wood counter.

ADA compliant when installed to the specific requirements of these regulations.