

### Features

- Soap dispensing volume can be adjusted to 0.8 mL, 1.2 mL, 1.6 mL, or 2.0 mL.
- 54 oz. (1600 ml) high capacity soap reservoir.
- Optional 27 oz. (800 ml) low-capacity soap reservoir (sold separately).
- Sensor range adjustable from 1" to 4" (25 to 101 mm). Default set at approximately 2-3/4" (69 mm).
- Maintenance/cleaning mode is activated for 30 seconds when sensor is blocked for 10 seconds.
- Vandal-resistant sensor delays dispensing for twenty seconds if activated 4 times in under 5 seconds.
- Low soap and low battery above-the-counter indicators.
- Easy below-the-counter refill.
- Battery-operated (4 "D" batteries supplied).
- Requires low (1-20 cps or gr/m-s) viscosity foam soap with no suspended particles. Please see Installation Guide or Maintenance and Use Guide for specific soap recommendations.
- Kohler Soap (sold separately) recommended for optimized performance and longevity.

### Material

- Cast brass construction for durability and reliability.

### Installation

- Optional deep rough-in mounting hardware kit for counters greater than 2" (50 mm) thick and less than 4-1/2" (114.3 mm) thick sold separately.

### Recommended Products/Accessories

- K-24879 Hollyhock-scented single-use foam soap refill – 800 mL
- K-24878 No fragrance/dye single-use foam soap refill – 1600 mL
- K-24877 No fragrance/dye single-use foam soap refill – 800 mL
- K-24882 No fragrance/dye foam soap refill – five gallons
- K-24881 No fragrance/dye foam soap refill – one gallon
- K-24880 Hollyhock-scented single-use foam soap refill – 1600 mL

### Optional Products/Accessories

- K-25136 Soap reservoir – 800 mL



ADA CSA B651 OBC

### Codes/Standards

ADA  
ICC/ANSI A117.1  
CSA B651  
OBC

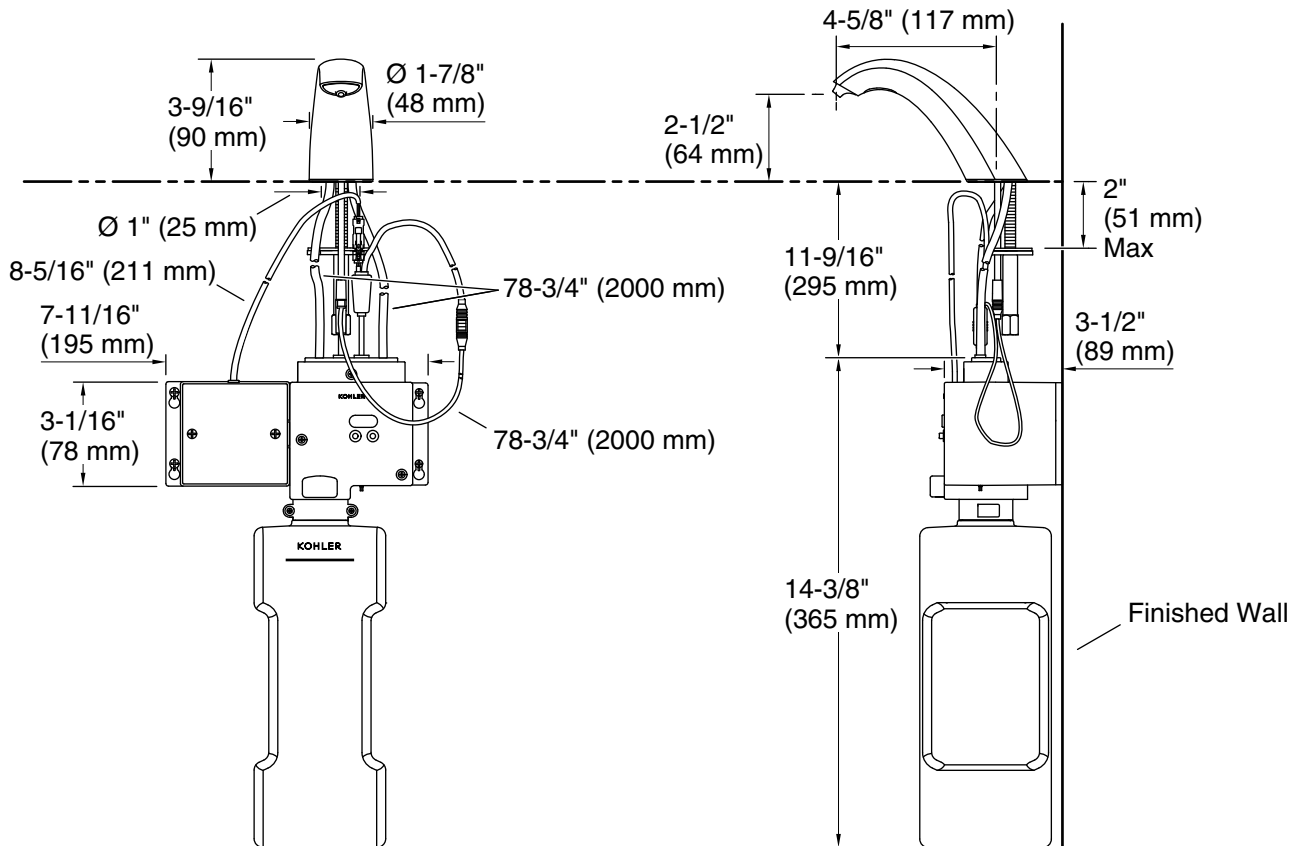
### KOHLER® One-Year Limited Warranty

See website for detailed warranty information.

### Available Colors/Finishes

*Color tiles intended for reference only.*

Color	Code	Description
	CP	Polished Chrome



## Technical Information

All product dimensions are nominal.

Material: Brass

## Notes

Install this product according to the installation instructions.

ADA, OBC, CSA B651 compliant when installed to the specific requirements of these regulations.