

### Features

- 13 effervescence ports deliver gentle, caressing bubbles.
- Variable-speed pump.
- Built-in heater.
- Remote control.
- Overflow channel for deep soak and unique infinity pool effect.
- Extra-spacious 8.3-foot design accommodates up to two bathers.
- Center drain.

### Material

- Acrylic

### Hydrotherapy

- Effervescence

### Installation

- Drop-in or under-mount.

### Additional Hydrotherapy Options

- Effervescence - K-1166-RE
- Effervescence + chromatherapy - K-1166-C1

### Recommended Products/Accessories

K-1601 Bath/Whirlpool Footstop  
K-7223 Pop-up Bath Drain  
K-922 Wall- Or -Ceiling-Mount Bath Filler  
K-923 Wall- Or -Ceiling-Mount Bath Filler  
K-18486-4 Roman Bath Filler



### Codes/Standards

ASME A112.19.7/CSA B45.10  
CSA B45.5/IAPMO Z124  
ASTM E162  
ASTM E662  
UL 1795  
CSA C22.2 No. 218.2



**KOHLER® Plastic Baths and Receptors  
Lifetime Limited Warranty  
KOHLER® Hydrotherapy Components  
Five-Year Limited Warranty**

See website for detailed warranty information.

### Available Colors/Finishes

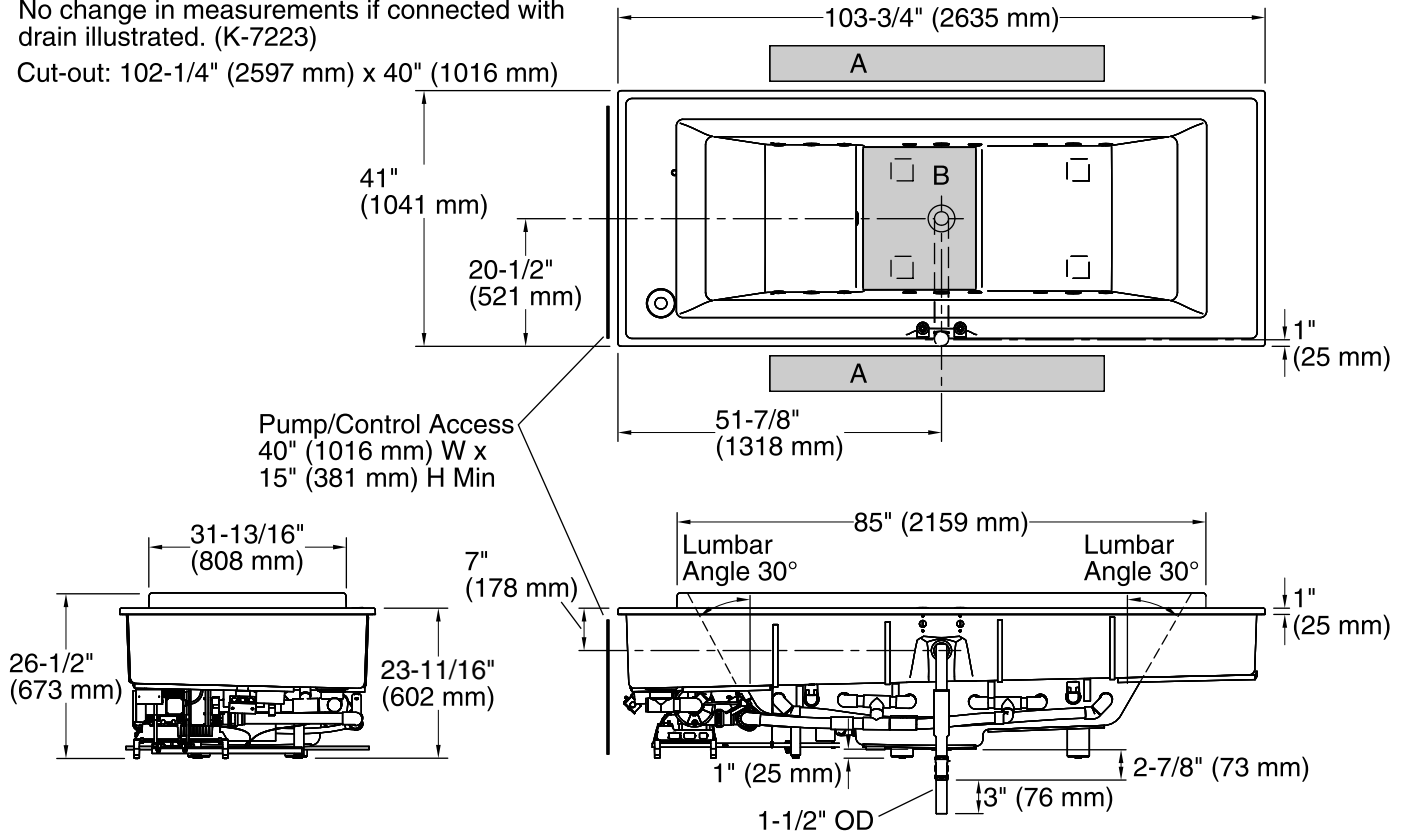
*Color tiles intended for reference only.*

Color	Code	Description
-------	------	-------------

	0	White
	96	Biscuit

No change in measurements if connected with drain illustrated. (K-7223)

Cut-out: 102-1/4" (2597 mm) x 40" (1016 mm)



## Required Electrical Service

Two dedicated circuits required, protected with Class A Ground-Fault Circuit-Interrupter (GFCI). Outside North America, this device may be known as a Residual Current Device (RCD).

Pump: 240 V, 20 A, 50/60 Hz  
Heater: 240 V, 20 A, 50/60 Hz

## Technical Information

All product dimensions are nominal.

Installation: Drop-in  
Drain location: Center  
Basin area, bottom: 60" x 25-1/2" (1524 mm x 648 mm)  
Basin area, top: 84" x 31-1/2" (2134 mm x 800 mm)  
Weight: 375 lbs (170.1 kg)  
Minimum floor load: 66 lbs/ft<sup>2</sup> (322.2 kg/m<sup>2</sup>)  
Water depth: 24-5/8" (625 mm)  
Water capacity: 185 gal (700.3 L)  
Cutout: Drop-in, 102-1/4" x 40" (2597 mm x 1016 mm)  
Electrical component rating: Pump: 240 V, 4 A, 50/60 Hz  
Heater: 240 V, 15 A, 50/60 Hz, 4000 W  
Pump speed: Variable

## Notes

Measure your actual product for rough-in details. Install this product according to the installation instructions.

The hot water supply should be 70% of the capacity of the bath or greater. Installations will vary.

Recommended spouts for area A: K-T954-4, K-T6906, K-18486-4, K-922 and K-924, or K-923 and K-924.

Recommended spouts for area B: K-922 or K-923.

Unit must be filled through the bathing well.

Consult local and national codes for minimum air gap requirements when installing a spout on the faucet deck.