

### Features

- The Awaken handshower features a contemporary design.
- Three spray functions and ADA non-positive shut off.
- Thumb tab allows for a smooth transition between sprays.
- MasterClean™ sprayface is easy to clean.
- 36-inch metal slidebar.

### Material

- KOHLER finishes resist corrosion and tarnishing.
- Premium metal constructed slidebar and shower hose.

### Installation

- Adjustable mounting brackets provide flexibility on wall-mount installations.

### Water Conservation & Rebates

- WaterSense®-labeled 1.75-gpm handshowers use up to 30 percent less water than standard 2.5-gpm handshowers, while still meeting strict performance guidelines.
- This product can help a building earn Water Efficiency points in the LEED® Green Building Rating System.

### Optional Products/Accessories

- K-98350 wall-mount supply elbow
- K-98351 wall-mount supply elbow with check valve

### Included Components

- Additional Components:
- 60-inch MasterShower® metal hose



ADA

OBC

### Codes/Standards



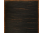
ASME A112.18.1/CSA B125.1  
DOE - Energy Policy Act 1992  
EPA WaterSense®  
California Energy Commission (CEC)  
ADA  
ICC/ANSI A117.1  
OBC

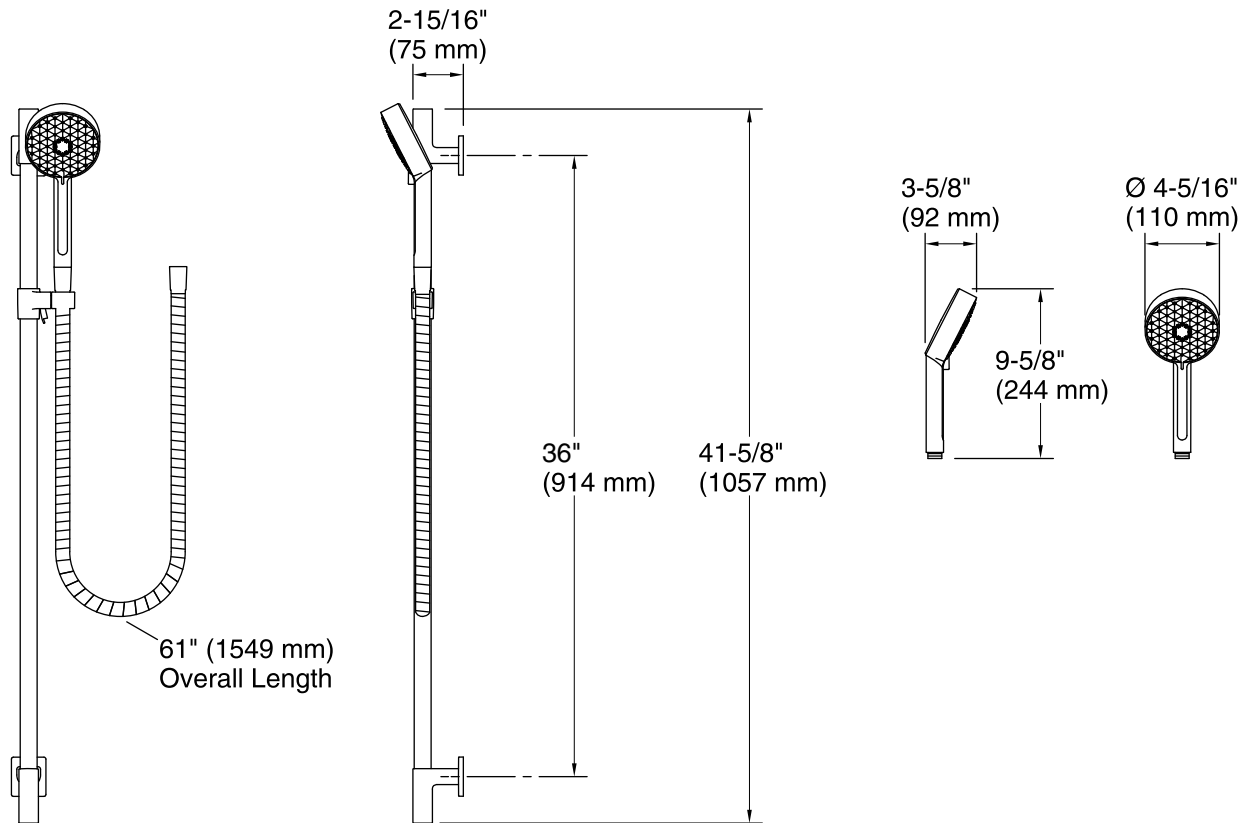
### KOHLER® Faucet Lifetime Limited Warranty

See website for detailed warranty information.

### Available Colors/Finishes

*Color tiles intended for reference only.*

Color	Code	Description
	CP	Polished Chrome
	BN	Vibrant® Brushed Nickel
	2BZ	Oil-Rubbed Bronze



### Technical Information

All product dimensions are nominal.

#### Handshower:

Rated maximum flow: 1.75 gal/min (6.6 l/min)

### Notes

Install this product according to the installation instructions.

Plumbing codes require approved backflow prevention devices to be installed in-line to handshowers. Please consult with local plumbing officials.

Mount the slidebar to stud framing or install backing support. For tile or other solid finish surfaces: Predrill mounting holes through surface material only; do not drill into the stud. For drywall surface: No predrill is required.

ADA, OBC compliant when installed to the specific requirements of these regulations.