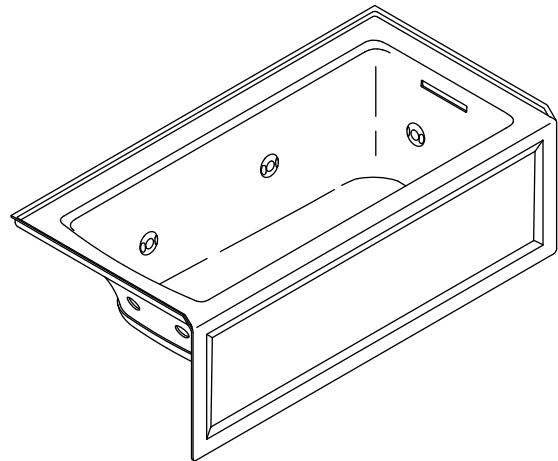


Features

- *ExoCrylic™*
- *8 color-matched Kohler hydro-massage jets*
- *Integral apron with removable access panel*
- *Pump with air switch and grounding-type plug-in cord*
- *Integral tile flange*
- *Left or right drain*
- *Slotted overflow for maximum bathing depth*
- *Low threshold height*
- *Bask™ heated surface with three temperature settings*
- *60" (1524 mm) x 30" (762 mm) x 20-1/4" (514 mm)*

5' BATH WHIRLPOOL WITH BASK™ K-1947-LAW ALSO K-1947-RAW

ADA



Codes/Standards Applicable

Specified model meets or exceeds the following:

- ADA
- ICC/ANSI A117.1
- CSA B45.5/IAPMO Z124
- CSA C22.2 No 218.2
- ASME A112.19.7/CSA B45.10
- UL 1795
- NMX-J-521

Colors/Finishes

- 0: White
- Other: Refer to Price Book for additional colors/finishes

Accessories

- CP: Polished Chrome
- Other: Refer to Price Book for additional colors/finishes

Specified Model

Model	Description	Colors/Finishes	
K-1947-LAW	5' apron bath whirlpool with Bask, left drain	<input type="checkbox"/> 0	<input type="checkbox"/> Other_____
K-1947-RAW	5' apron bath whirlpool with Bask, right drain	<input type="checkbox"/> 0	<input type="checkbox"/> Other_____

Required Accessories			
K-7271	Clearflo slotted overflow brass bath drain OR	<input type="checkbox"/> CP	<input type="checkbox"/> Other_____
K-7272	Clearflo slotted overflow bath drain – PVC pipe	<input type="checkbox"/> CP	<input type="checkbox"/> Other_____

Product Specification

The ExoCrylic bath whirlpool shall be 60" (1524 mm) in length, 30" (762 mm) in width, and 20-1/4" (514 mm) in height. Bath whirlpool shall feature 8 color-matched jets, and pump with air switch and grounding type plug-in cord. Bath whirlpool shall feature Bask heated lumbar support with three temperature settings. Bath whirlpool shall have an integral apron with removable access panel and integral tile flange. Bath whirlpool shall have left or right drain. Bath whirlpool shall have slotted overflow for maximum bathing depth and low threshold height. Bath whirlpool shall be Kohler Model K-1947-_____-_____-_____.

ARCHER®

Technical Information

Fixture*:	
Bathing well	
Basin area, bottom	45-1/8" (1146 mm) x 19-11/16" (500 mm)
Basin area, top	52-1/8" (1324 mm) x 22-1/16" (560 mm)
Weight	123 lbs (55.7 kg)
To overflow	
Water depth	15-1/8" (384 mm)
Capacity	57 gal (215.7 L)
* Approximate measurements for comparison only.	

	V	Hz	A
1-speed pump	120	60	7
Heated surface	120	60	0.5

Required Electrical Service

Dedicated circuit required, protected with a Class A Ground-Fault Circuit-Interrupter (GFCI):	
Pump/control	120 V, 15 A, 60 Hz

Installation Notes

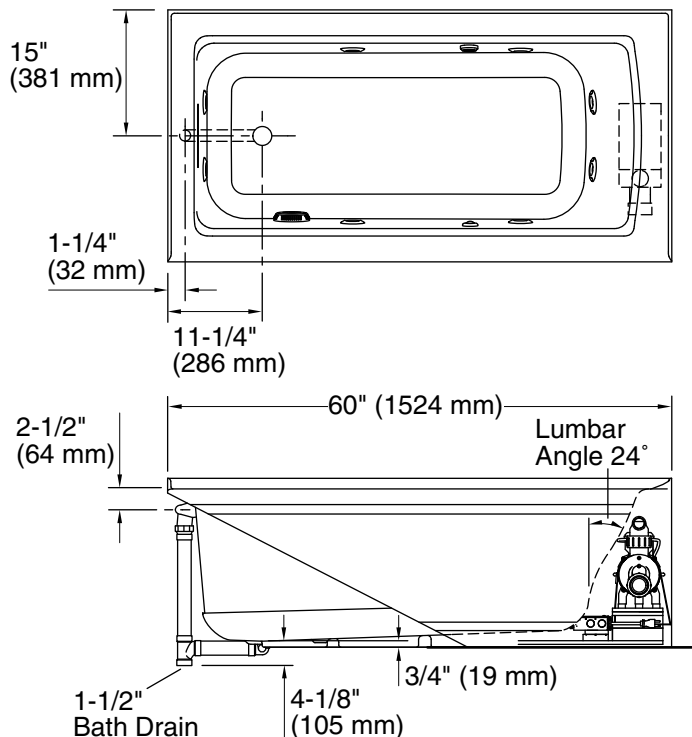
Install this product according to the installation guide.

Locate a GFCI-protected 120 V, 15 A, grounded duplex electrical outlet within 24" (610 mm) of the bath junction box. A 40" (1016 mm) cable is included.

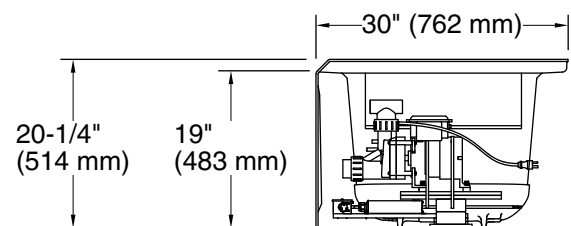
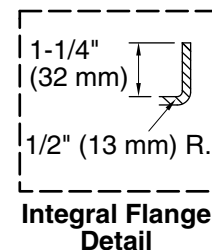
Floor support under this product must provide for a minimum of 49.9 lbs/square foot (244 kg/square meter) loading.

The hot water supply should be 70% of the capacity of the bath or greater. Installations will vary.

Will comply with **ADA** when installed per Section 607 Bathtubs of the ADA 2010 Standards for Accessible Design.



No change in measurements if connected with drain illustrated. (K-7272)



Product Diagram