

Features

- Brass construction
- 1/2" - 14 NPT connection

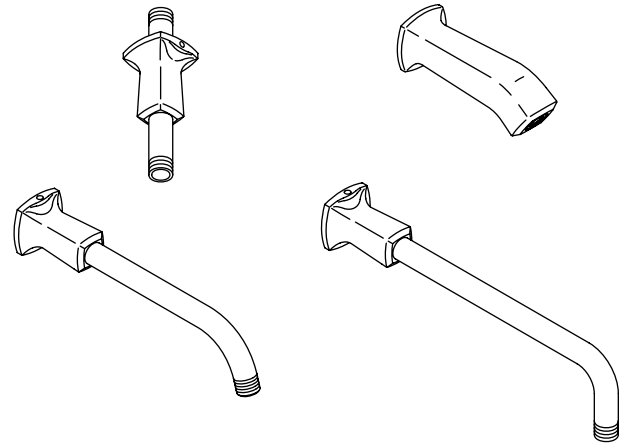
SHOWER ARMS
K-16279

ALSO K-16280, K-16281, K-16287

Codes/Standards Applicable

Specified model meets or exceeds the following:

- ASME A112.18.1/CSA B125.1



Colors/Finishes

- CP: Polished Chrome
- Other: Refer to Price Book for additional colors/finishes

Specified Model

Model	Description	Colors/Finishes	
K-16279	Right-angle shower arm and flange	<input type="checkbox"/> CP	<input type="checkbox"/> Other
K-16280	10-5/8" (27 cm) reach shower arm and flange	<input type="checkbox"/> CP	<input type="checkbox"/> Other
K-16281	Cast shower arm	<input type="checkbox"/> CP	<input type="checkbox"/> Other
K-16287	Ceiling-mount shower arm and flange	<input type="checkbox"/> CP	<input type="checkbox"/> Other

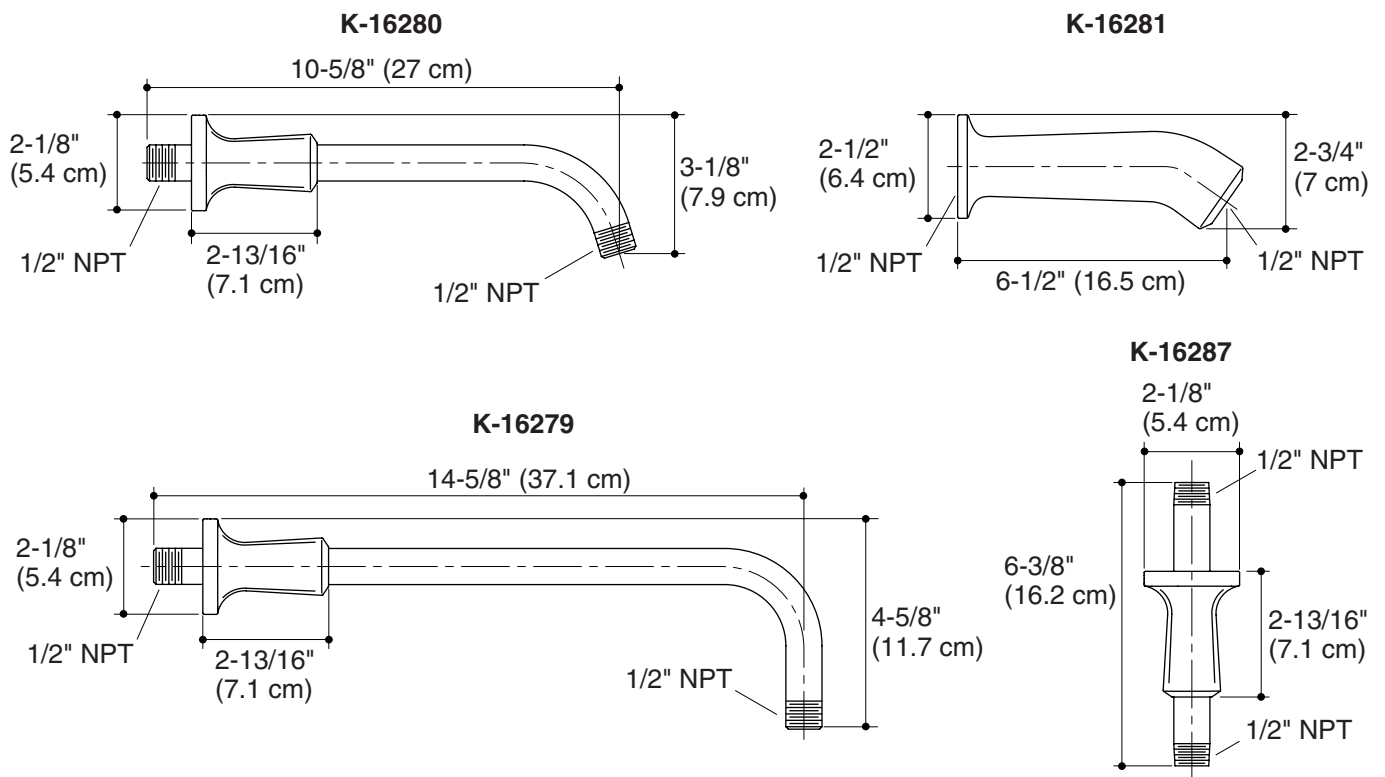
Product Specification

Shower arm shall be of brass construction. Shower arm shall have 1/2"-14 NPT thread at both ends. Shower arm shall be Kohler Model K-____-____.

MARGAUX™

Installation Notes

Install this product according to the installation guide.



Product Diagram