

HOTEL COLLECTION

SHOWER SEAT

8289200

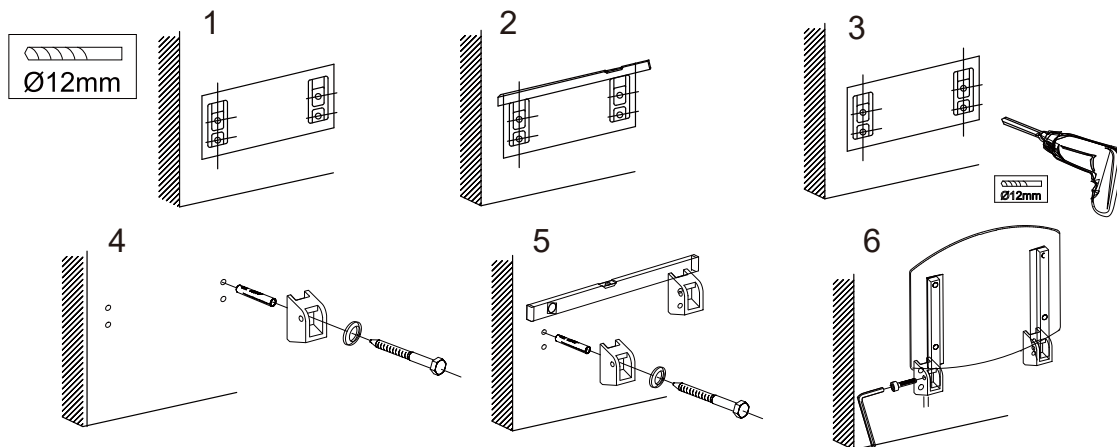
For cavity walls

It is essential that the shower seat is fixed to the internal wall stud or a solid framing structure.

For solid walls

Use appropriate drill bits and fixing toggles if required.

Note: This shower seat is to be mounted to secure surface. We shall not accept responsibility for any damage caused by lack of wall strength or improper installation



CLEANING INSTRUCTIONS

Cleaning with a non ammoniated pure soap liquid is recommended to remove any stains or water spots. Rinse all traces of soap thoroughly. Use a soft cloth to clean and dry the product.

DO NOT use any abrasives such as bleach or any scouring cloth/pad to clean the product as it will scratch the surface.

WARNING: TO PREVENT SERIOUS OR FATAL INJURY, FOR USE ONLY BY PERSON WEIGHING NO MORE THAN 100KG. Consult a healthcare professional for advice and instructions specific to your needs before use. Locate studs prior to drilling. We strongly encourage that you determine if plumbing, electrical or other obstructions are contained behind the wall. Install in accordance with instructions. Do not modify this product in any way. Check this shower seat periodically after installation to be sure all screws are securely fastened.