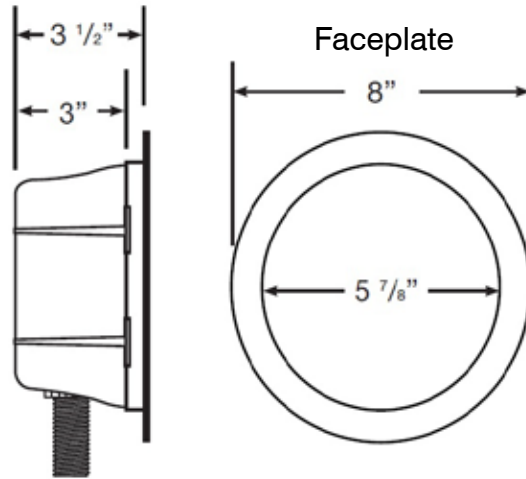
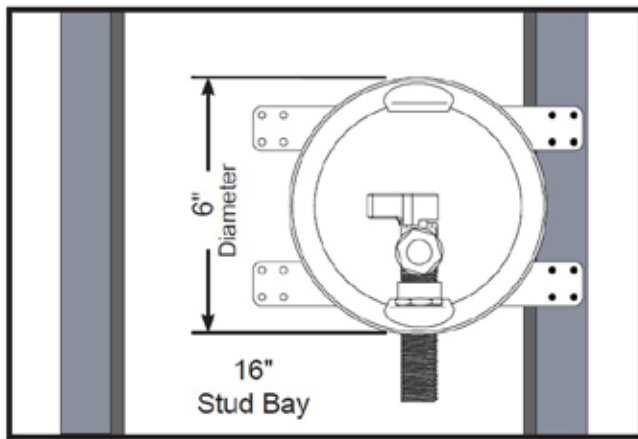


SPECIFICATION SUBMITTAL SHEET

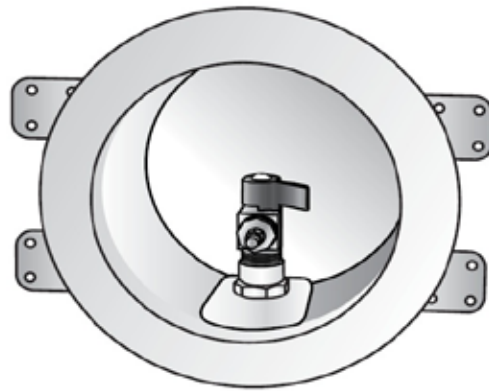


ROUND ICE MAKER OUTLET BOXES without Hose



Specifications:

Furnish and install round ice maker outlet box with lead free valve. Unit shall be Water-Tite product code as manufactured by IPS Corporation.



Item #	Product Description	Model #	Quantity
88488	Round IMOB w/Lead Free Valve and Sweat Conx.	AB9900	10
88491	Round IMOB w/ Lead Free Valve and CPVC Conx.	AB9901	10
88493	Round IMOB w/ Lead Free Valve and PEX Conx.	AB9902	10
88496	Round IMOB w/ Lead Free Valve and Wirsbo® Conx.	AB9911	10
Contractor Pack			
88489	Round IMOB w/ Lead Free Valve and Sweat Conx. - Cont. Pack	AB9900 CP	20
88492	Round IMOB w/ Lead Free Valve and CPVC Conx. - Cont. Pack	AB9901 CP	20
88494	Round IMOB w/ Lead Free Valve and PEX Conx. - Cont. Pack	AB9902 CP	20
88497	Round IMOB w/ Lead Free Valve and Wirsbo Conx.- Cont. Pack	AB9911CP	20

