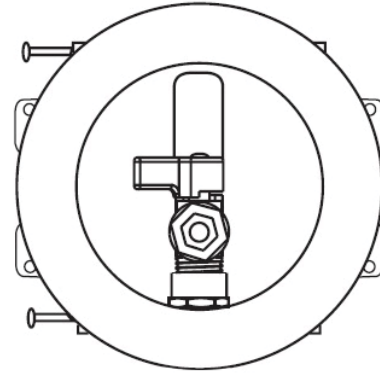
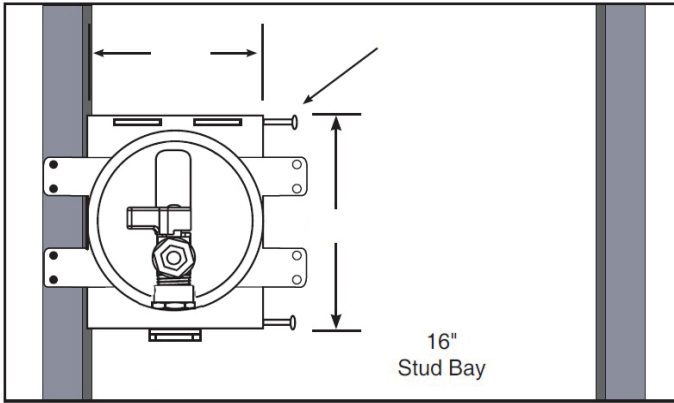


# SPECIFICATION SUBMITTAL SHEET



## PLASTIC DISHWASHER OUTLET BOXES with Lead Free Quarter Turn Valve



**Specifications:**

Furnish and install dishwasher outlet box with lead free quarter turn valve. Unit shall be Water-Tite product code as manufactured by IPS Corporation. Valves comply with ASME A112.18.1. Hammer arresters comply with ASSE 1010.

Item #	Product Description	Model #	Quantity
87934	3/8" outlet lead free 1/4 turn valve w/Arrester installed--1/2" Sweat	AB9300HA	10
87935	3/8" outlet lead free 1/4 turn valve w/Arrester installed--1/2" CPVC	AB9301HA	10
87937	3/8" outlet lead free 1/4 turn valve w/Arrester installed--1/2" Pex	AB9302HA	10
87938	3/8" outlet lead free 1/4 turn valve w/Arrester installed--1/2" Pex	AB9302HACP	20

