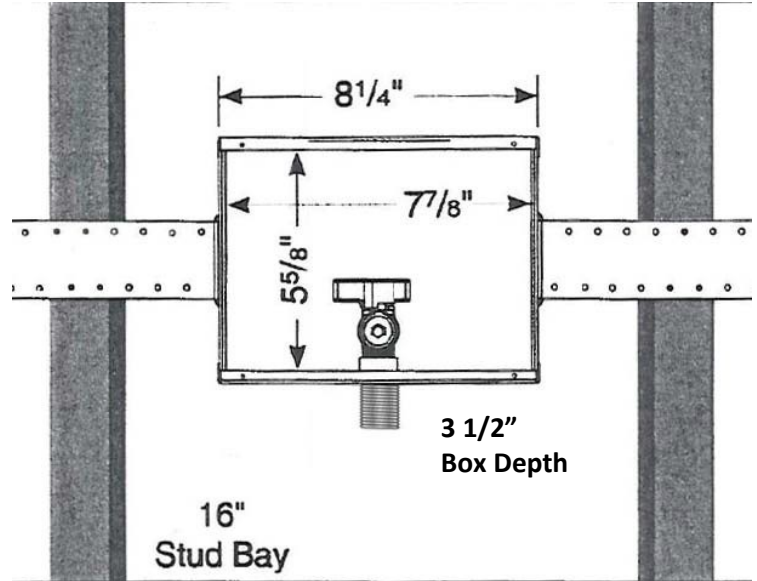
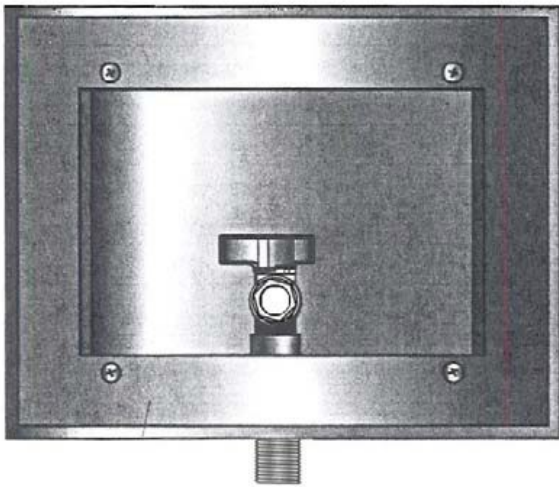


SPECIFICATION SUBMITTAL SHEET



**GAS STAINLESS STEEL OUTLET BOX  
with Valve**



**Specification:**

Furnish and install the Guy Gray stainless steel gas outlet box with CSA listed gas valve. Unit shall be Guy Gray product code checked below as manufactured by IPS Corporation.

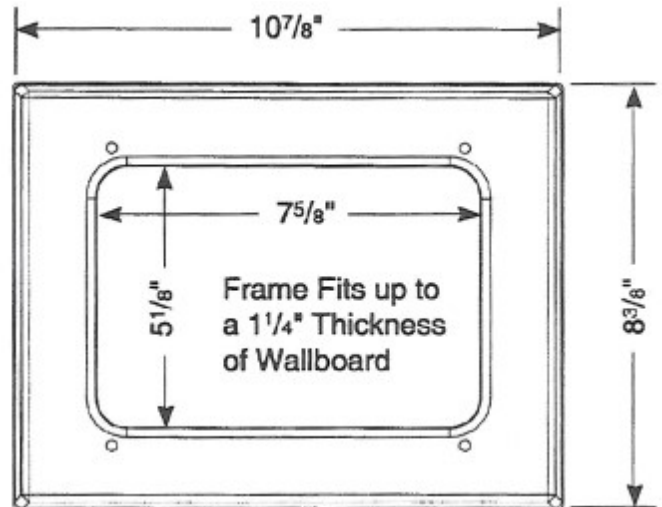
**Box Material:**

Stainless steel

**Valve**

CSA listed 1/2" or 3/4" quarter turn gas valve for iron pipe, or 1/2" female gas valve for CSST.

Valve complies with ANSI Z21/CSA9.1



Product			
Code #	Product Description	Model #	
87887	1/2" IP Stainless Steel Gas Box	SSGB12IP	
87888	3/4" IP Stainless Steel Gas Box	SSGB34IP	
87889	1/2" CSST Stainless Steel Gas Box	SSGB12CSST	

