

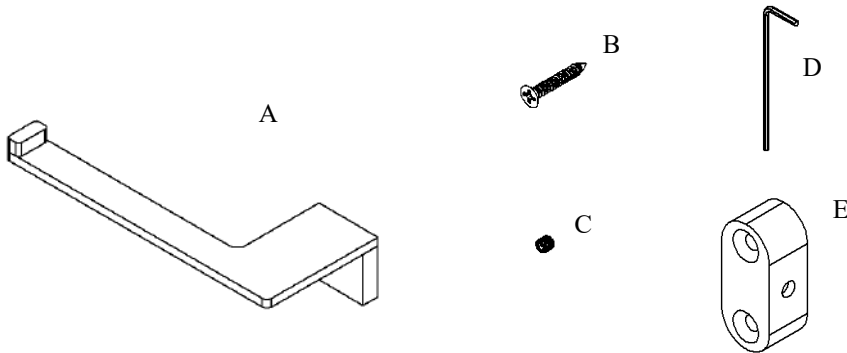


Exhilarating by Design

Volkano Ash Toilet Paper Holder (RH)

Installation Guide

Code: V61023, V61024, V61025



Parts Included	QTY
A - Toilet Paper Holder (RH)	1
B - Screw	2
C - Set Screw	1
D - Allen Key	1
E - Bracket	1

Model #	Description	Finish	Weight (lb)	WxHxD (mm)	WxHxD (Inches)	Metal Type
V61023	Ash Toilet Paper Holder (RH)	Chrome	0.64	176 x 43 x 75	7 x 2 x 3	Brass
V61024	Ash Toilet Paper Paper Holder (RH)	Brushed Nickel	0.64	176 x 43 x 75	7 x 2 x 3	Brass
V61025	Ash Toilet Paper Holder (RH)	Matte Black	0.64	176 x 43 x 75	7 x 2 x 3	Brass

Warranty: 2 Years

Care & Maintenance: A periodic wash using warm water and a soft cloth will retain the high quality finish of your Volkano product for many years to come. ON NO ACCOUNT should any household bleaches, detergents, abrasive polishes, steel wool or other cleaning agents be used on this item.

