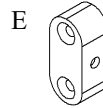
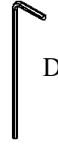
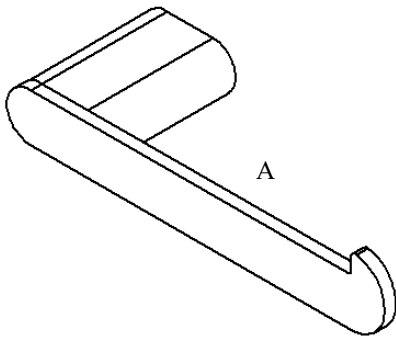




*Exhilarating by Design*

# Volkano Flow Toilet Paper Holder (LH Post) Installation Guide

Code: V4023, V4024, V4025, V4020-BGL, V4020-BGD



Parts Included	QTY
A - Toilet Paper Holder	1
B - Screw	2
C - Set Screw	1
D - Allen Key	1
E - Bracket	1

Model #	Description	Finish	Weight (lb)	WxHxD (mm)	WxHxD (Inches)	Metal Type
V4023	Flow Toilet Paper Holder (LH Post)	Chrome	1	165 x 30 x 60	6.5 x 1.25 x 2.25	Brass
V4024	Flow Toilet Paper Paper Holder (LH Post)	Brushed Nickel	1	165 x 30 x 60	6.5 x 1.25 x 2.25	Brass
V4025	Flow Toilet Paper Holder (LH Post)	Matte Black	1	165 x 30 x 60	6.5 x 1.25 x 2.25	Brass
V4020-BGL	Flow Toilet Paper Holder (LH Post)	Brushed Gold Light	1	165 x 30 x 60	6.5 x 1.25 x 2.25	Brass
V4020-BGD	Flow Toilet Paper Holder (LH Post)	Brushed Gold Dark	1	165 x 30 x 60	6.5 x 1.25 x 2.25	Brass

**Warranty:** 2 Years

**Care & Maintenance:** A periodic wash using warm water and a soft cloth will retain the high quality finish of your Volkano product for many years to come. ON NO ACCOUNT should any household bleaches, detergents, abrasive polishes, steel wool or other cleaning agents be used on this item.

