

RODEO

METRO COLLECTION



AVAILABLE SIZES

- 61.32.22-30

WATER CAPACITY

- 85 Gallons

WEIGHT

- 235 Pounds

BACK SLOPE

- 18°

MATERIAL

- Hydroluxe Solid Surface

STANDARD COLORS

- White, Biscuit, Bone

PREMIUM COLORS

- Red, Black, Graphite

FINISH

- Matte, Polished, Two-Tone

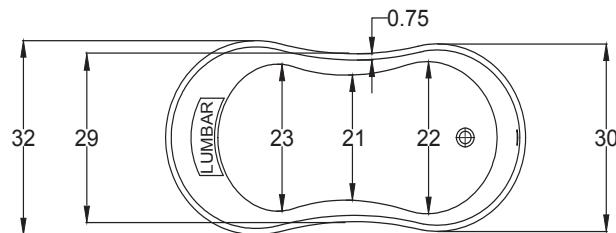
WARRANTY

- 10 years



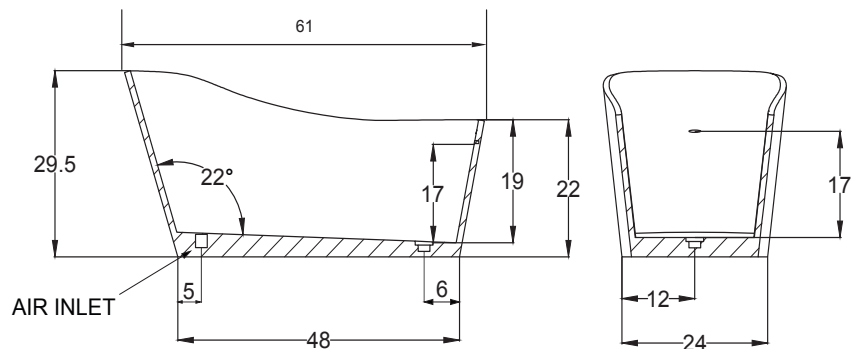
OPTIONS

- Air System
 - Blower and Control Panel must be remotely located
 - Electrical Requirements 1 15 AMP dedicated GFI
- Remote Control for Air System
- Tower



OVERFLOW IS INTEGRAL TO THE TUB

BACKREST HAS A LUMBAR SUPPORT



CODES AND COMPLIANCES

Massachusetts code File no: P1-0614-491



HYDRO SYSTEMS
Family Owned And Operated Since 1978

29132 Avenue Paine, Valencia, CA, 91355
661.775.0686 | hydrosystem.com

All specifications and options subject to change without notice please contact a hydro systems representative for more information.