

**Ecostat Classic**  
**Pressure Balance Trim, Round**  
 Finishes : **polished nickel** Part no. : **15404831**



**Description**

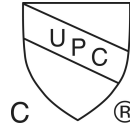
**Features**

- Flow: 5.5 GPM (20.6 L/Min)
- Integrated bypass for use with diverter tub spouts
- Temperature and on/off control for 1 outlet

**Item details**

List Price \$ 248.00

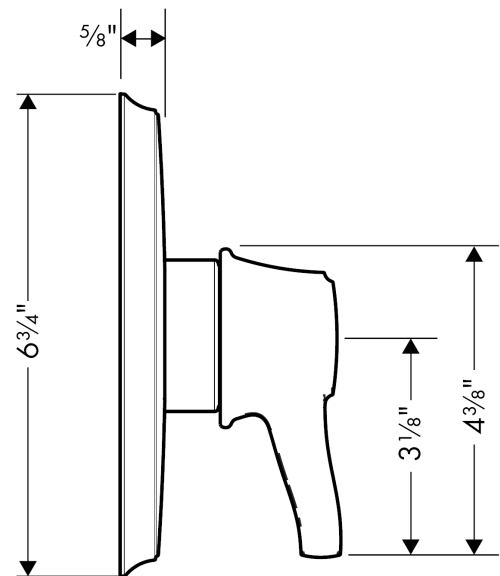
**Compliance**



**Product image**



**Scale drawing**

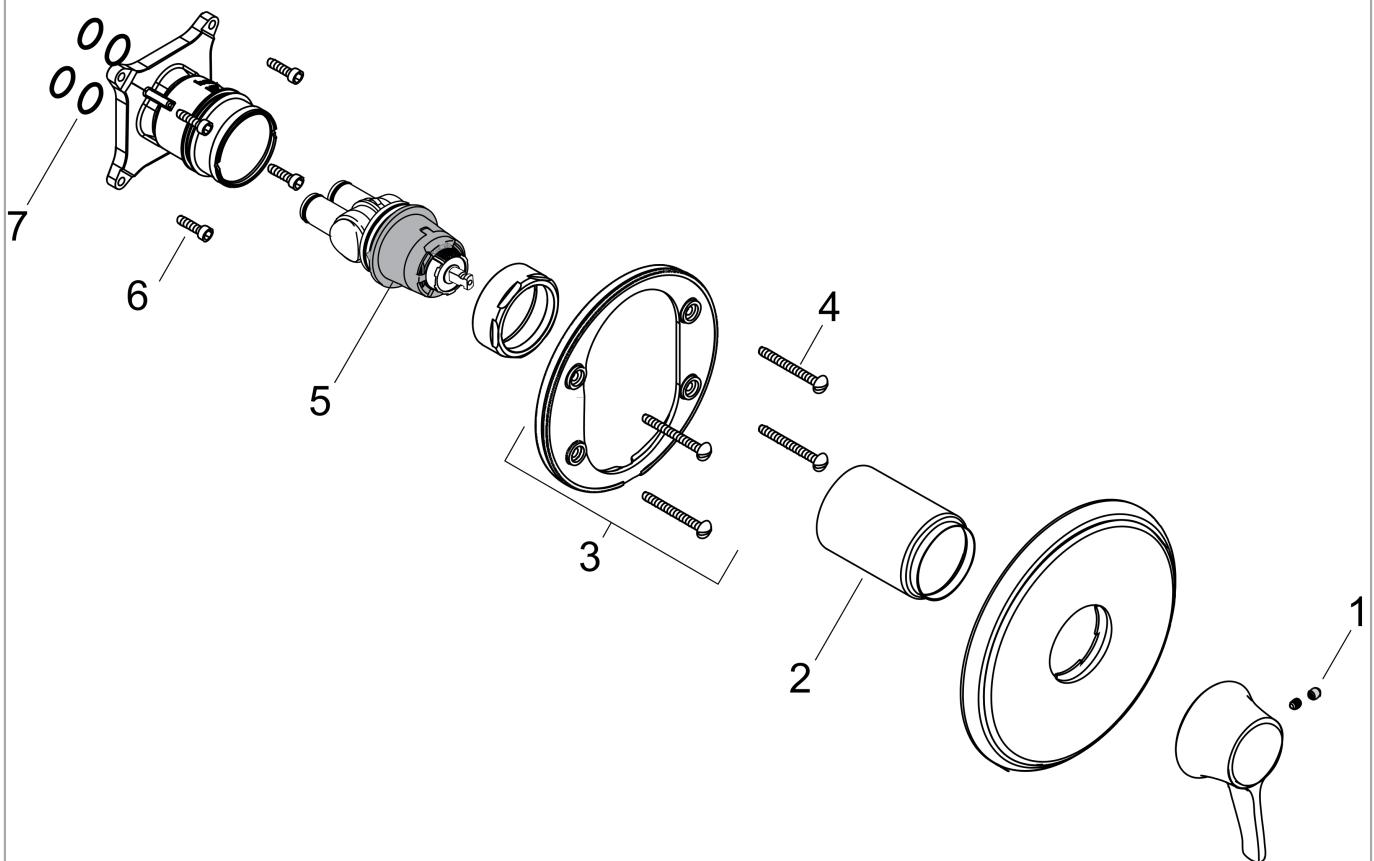


**Ecostat Classic**  
**Pressure Balance Trim, Round**  
 Finishes : **polished nickel**    Part no. : **15404831**



**Exploded drawing**

Year of production: >12/10



**Ecostat Classic**  
**Pressure Balance Trim, Round**  
 Finishes : **polished nickel**    Part no. : **15404831**



**Spare parts list**

Year of production: >12/10

<b>Pos.</b>	<b>Description</b>	<b>Part no.</b>	<b>Price</b>	<b>PU</b>
1	screw cover	95181000	-	1
2	sleeve	88765830	-	1
3	holder for escutcheon	98793000	-	1
4	set of fixing screws	96454000	-	1
5	cartridge, assy	88727000	-	1
6	set of screws	96525000	-	1
7	O-ring 16x2	98133000	-	1
a	extension 22 mm (Ø 170 mm)	13596830	-	1
b	extension 25 mm	13595000	-	1