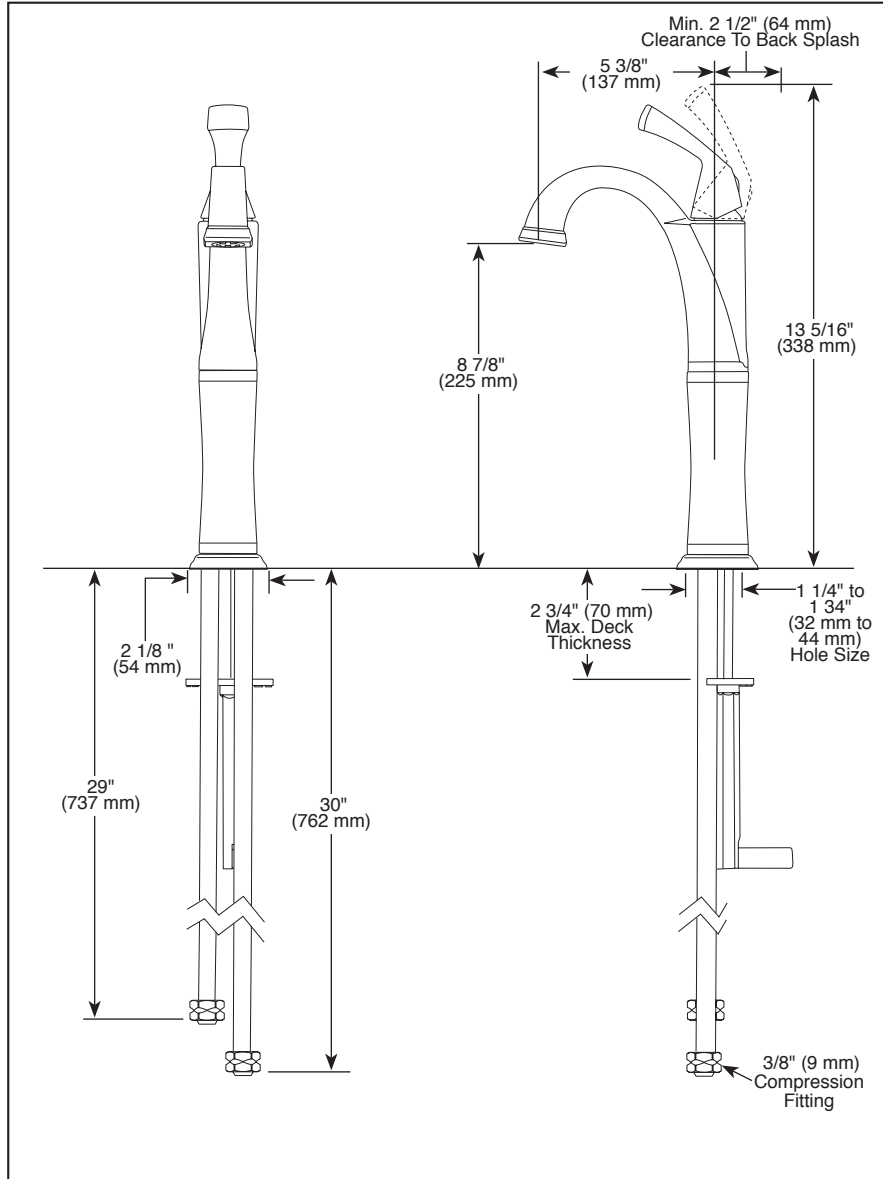


751-DST



Submitted Model No.: _____

Specific Features: _____



LAVATORY FAUCETS

- Dryden™ Collection
- Single Handle Deck Mount
- 5" Riser

FEATURES:

- DIAMOND Seal® Technology

STANDARD SPECIFICATIONS:

- Max. 1.20 gpm @ 60 psi, 4.54 L/min @ 414 kPa
- One hole mount
- Diamond coated ceramic cartridge
- Models include finished 5" riser

WARRANTY

- Lifetime limited warranty on parts (other than electronic parts and batteries) and finishes; or, for commercial users, for 5 years from date of purchase.
- 5 year limited warranty on electronic parts (other than batteries); or, for commercial users, for 1 year from the date of purchase. No warranty is provided on batteries.



COMPLIES WITH:

- ASME A112.18.1 / CSA B125.1
- Indicates compliance to ICC/ANSI A117.1
- EPA WaterSense®
- Meets 0.25% weighted average lead content regulations.

