

# MECHANICAL FAUCETS

## 8420-NF

### Safety Fittings



a Geberit company

#### Product Type

Wall Mounted Eye/Face Wash Combination Eye/Face Wash and Safety Drench Shower

#### Features & Specifications

- Eye/Face Wash
- 1" NPT Male Thread Inlet (Supply Connections)
- 1-1/2" NPT Male Thread Outlet (Drain Connection)
- Anti-corrosive polyamide 11 plastic coating in high-visibility yellow color
- Wall Recessed Mounting
- Eyewash assembly in ABS plastic
- Eyewash bowl in Stainless Steel
- Two high-flow aerated water spray at low pressure with automatic opening anti-dust cover
- Brass Fittings with Galvanized Pipe Construction
- Pull Handle for activation
- Shower head in Stainless Steel
- High-visibility photoluminescence safety sign with green background and white text for easy identification
- Maintenance card for recording periodic testing
- Certified to the ANSI Z358.1 Standard for Emergency Eyewash and Shower Equipment

#### Warranty

- 1-Year Limited Finish Warranty
- 1-Year Manufacturing Material Defects Warranty

Job Name \_\_\_\_\_

Item Number \_\_\_\_\_

Section/Tag \_\_\_\_\_

Model Specified \_\_\_\_\_

Architect \_\_\_\_\_

Engineer \_\_\_\_\_

Contractor \_\_\_\_\_

Submitted as Shown

Submitted with Variations

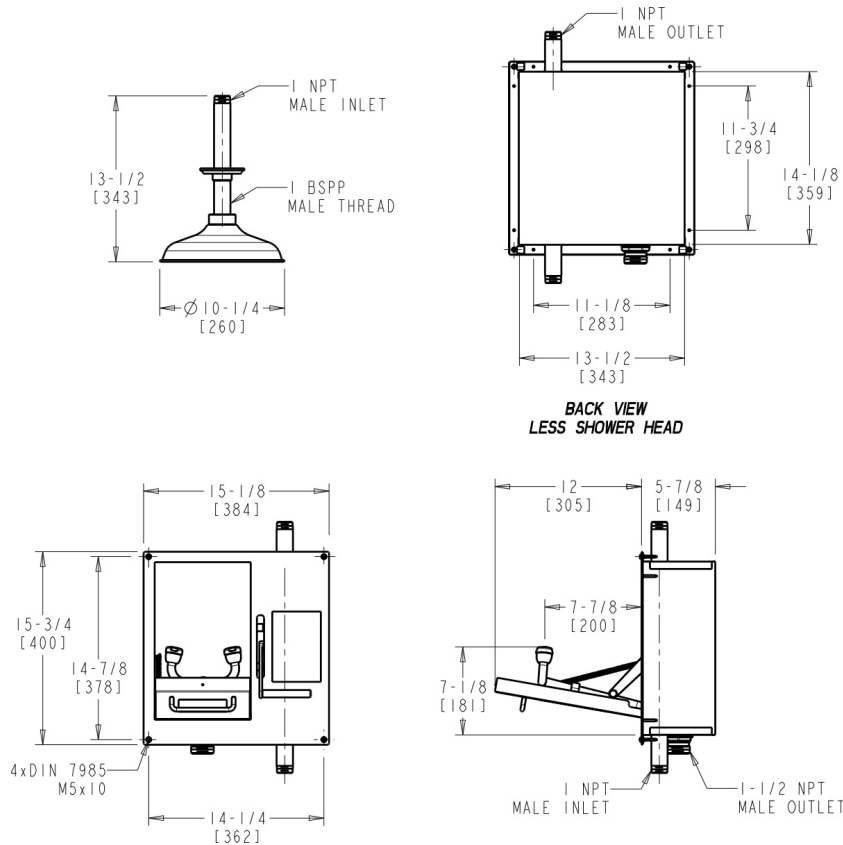
Date \_\_\_\_\_



2100 South Clearwater Drive  
 Des Plaines, IL  
 P: 847/803-5000  
 F: 847/803-5454  
 Technical: 800/TEC-TRUE  
 www.chicagofaucets.com

### Architect/Engineer Specification

Chicago Faucets No. 8420-NF, Eye/Face Wash and Safety Drench Shower head, 1" NPT Male Thread Inlet, , 1-1/2" NPT Male Thread Inlet, Anti-corrosive polyamide 11 plastic coating in high-visibility yellow color, Wall Recessed Mounting, Eyewash assembly in ABS plastic, Eyewash bowl in ABS Plastic, Two high-flow aerated water spray at low pressure with automatic opening anti-dust cover, Brass Fittings with Galvanized Pipe Construction, Pull Handle for activation, Shower head in Stainless Steel, High-visibility photoluminescence safety sign with green background and white text for easy identification, Maintenance card for recording periodic testing and Certified to the ANSI Z358.1 Standard for Emergency Eyewash and Shower Equipment.



### Operation and Maintenance

Installation should be in accordance with local plumbing codes. Flush all pipes thoroughly before installation. After installation, remove spout outlet or flow control and flush faucet thoroughly to clear any debris. Care should be taken when cleaning the product. Do not use abrasive cleaners, chemicals or solvents as they can result in surface damage. Use mild soap and warm water for cleaning and protecting the life of Chicago Faucet products. For specific operation and maintenance refer to the installation instructions and repair parts documents that are located at [www.chicagofaucets.com](http://www.chicagofaucets.com).

Chicago Faucets, member of the Geberit Group, is the leading brand of commercial faucets and fittings in the United States, offering a complete range of products for schools, laboratories, hospitals, office buildings, food service, airports and sport facilities. Call 1.800.TECTRUE or 1.847.803.5000 Option 1 for installation or other technical assistance.

