



California Faucets®

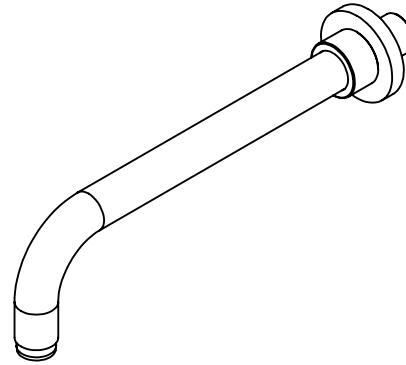
TIBURON

DELUXE WALL TUB SPOUT

Features

- Solid brass construction
- Includes decorative base ring
- Maximum flow rate 16 gpm (60.6 L/min)
- For use with: StyleTherm, 3-VR or 2-VR
- Over 30 finishes including 15 PVD finishes

DE-65

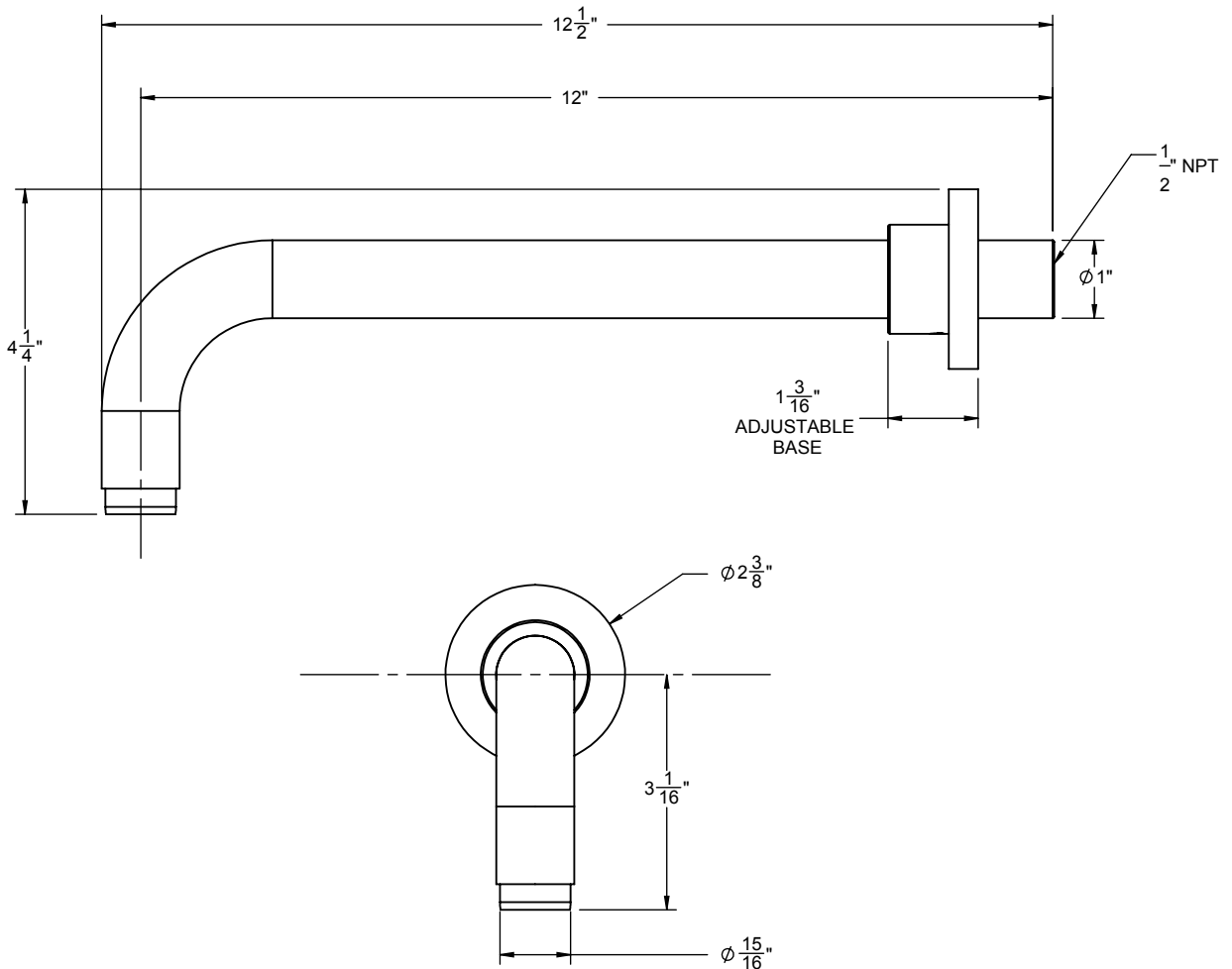


Codes/Standards Applicable

Meets or exceeds the following at date of manufacture:

- ASME A112.18.12-2011/CSA B125.2-11

THROUGH-HOLE SPECIFICATIONS		
MIN	RECOMENDED	MAX
Ø 1"	Ø 1"	Ø 1-15/16"



ALL DIMENSIONS SHOWN TO NEAREST 1/16"