

# 9620-K10, 9620-K30, 9620-K50, 9620-K51, 9620-K55, & 9620-K81 Kitchen Cold Water Dispenser Installation Instructions

**CALIFORNIA FAUCETS RECOMMENDS THAT ALL PLUMBING PRODUCTS BE INSTALLED BY A LICENSED PROFESSIONAL**

**IMPORTANT: Read all instructions prior to installation and provide copy of instructions to consumer.**

**Operating Specifications:**

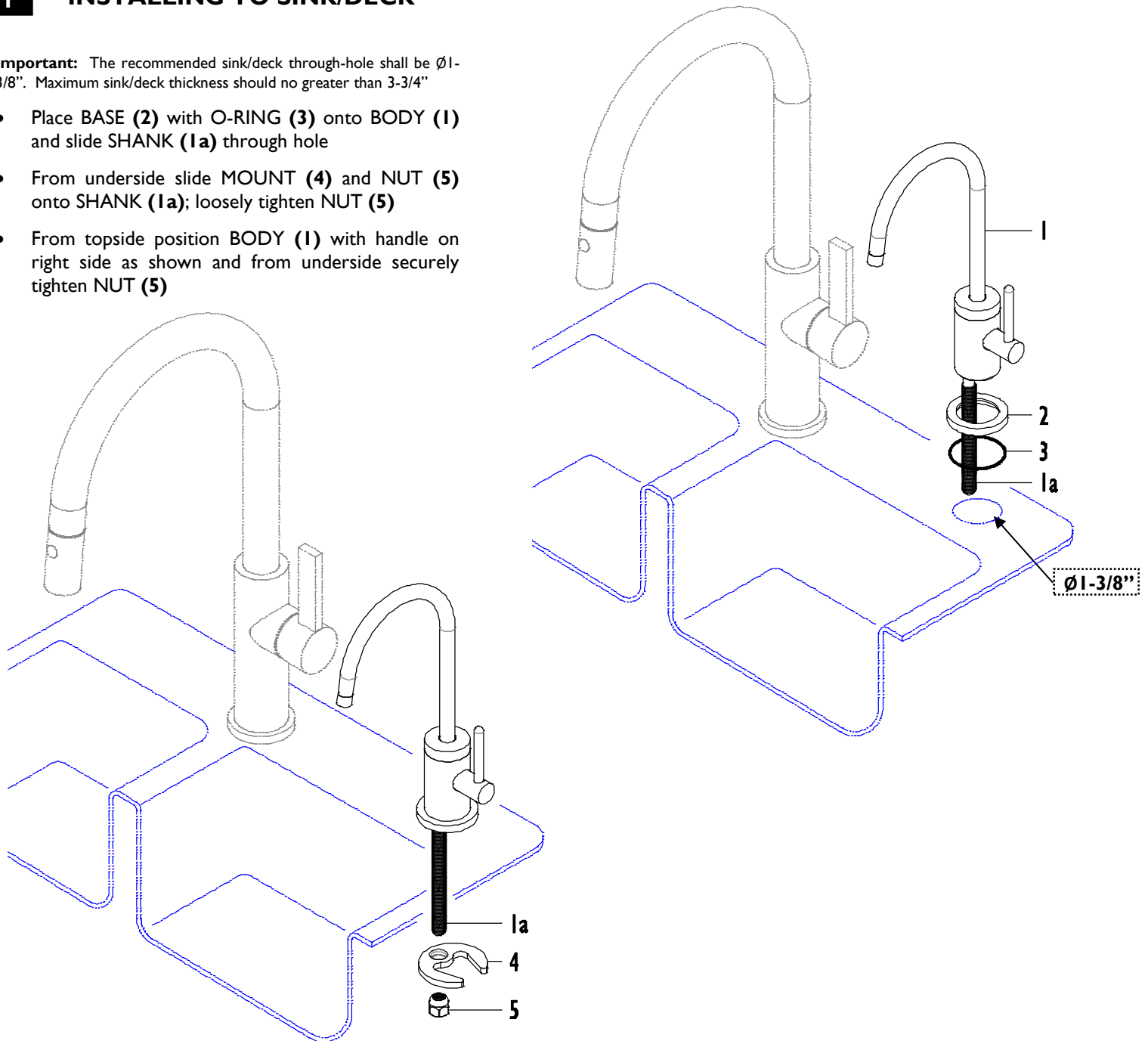
Recommended Supply Pressure: 20 to 70 psi †

† If water pressure exceeds 70 psi, install a Pressure-Reducing Valve (PRV).

## I INSTALLING TO SINK/DECK

**Important:** The recommended sink/deck through-hole shall be  $\phi 1\text{-}3/8"$ . Maximum sink/deck thickness should no greater than 3-3/4"

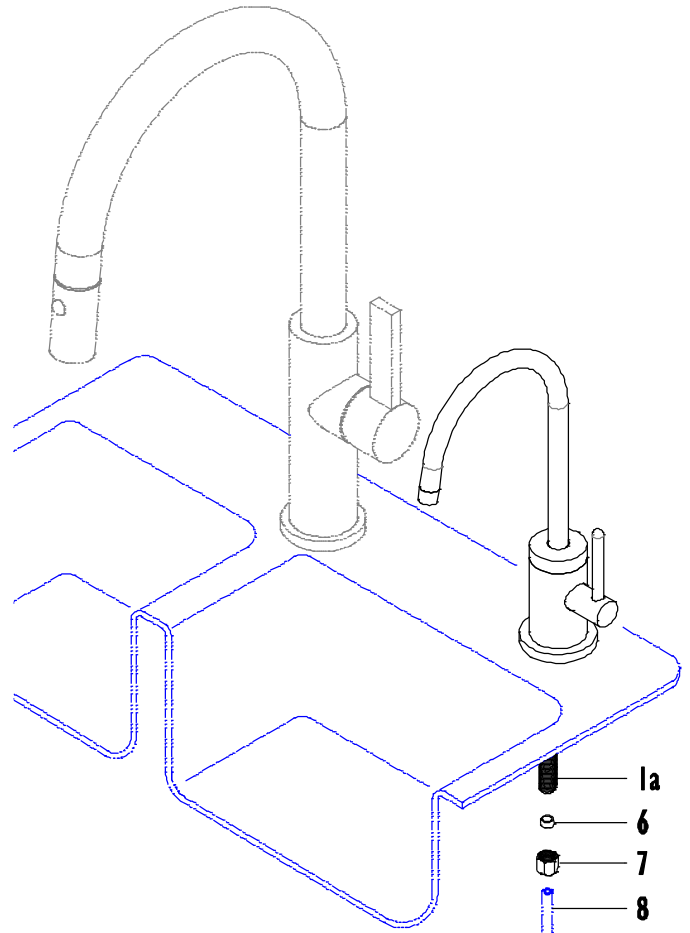
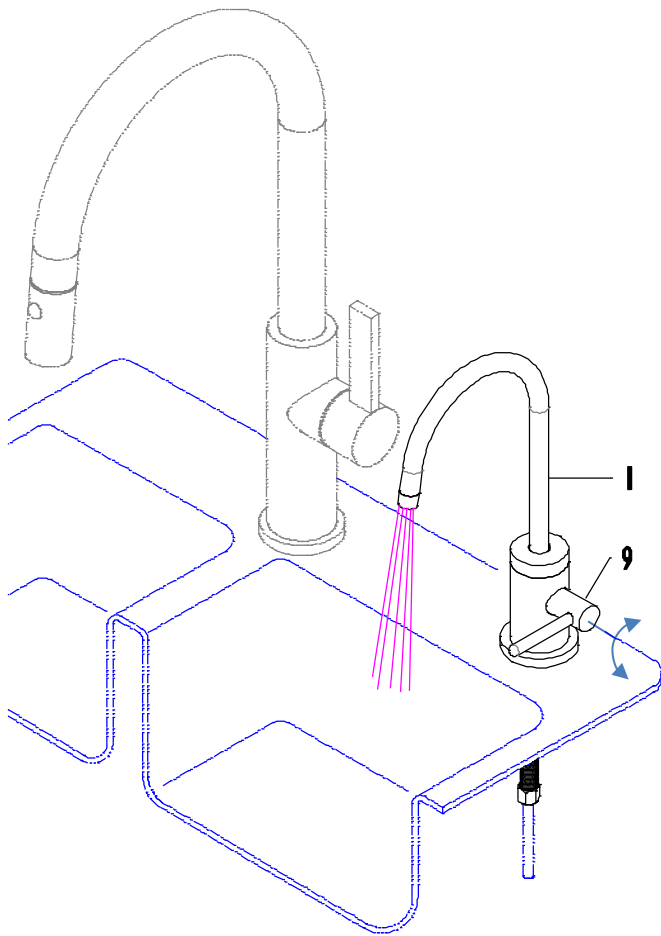
- Place **BASE (2)** with **O-RING (3)** onto **BODY (1)** and slide **SHANK (1a)** through hole
- From underside slide **MOUNT (4)** and **NUT (5)** onto **SHANK (1a)**; loosely tighten **NUT (5)**
- From topside position **BODY (1)** with handle on right side as shown and from underside securely tighten **NUT (5)**



# 2

## WATER CONNECTIONS

- Place 1/4" compression NUT (7) and SLEEVE (6) onto filter supply LINE (8)
- Securely tighten 1/4" compression NUT (7) onto SHANK (1a)
- Turn water supply on at filter unit and rotate HANDLE (9) forward to rinse water through FAUCET (1)
- Check for leaks and adjust as necessary



1/4" COLD  
supply from  
filter unit