

# BRIZO<sup>®</sup>

## ON-WALL HAND SHOWER

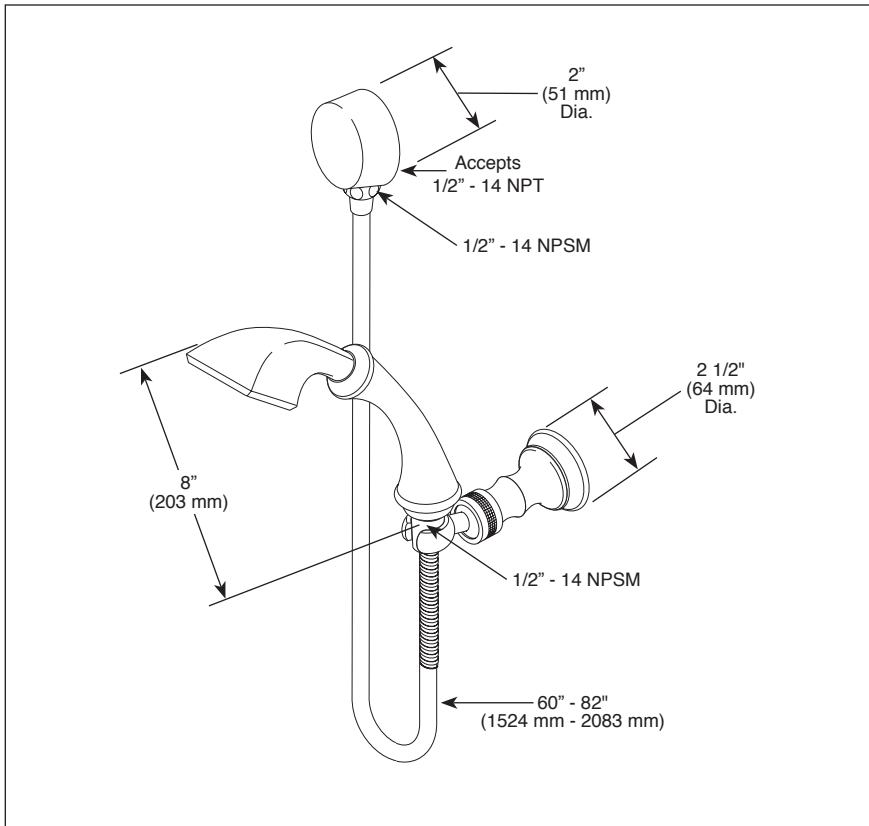
- Charlotte™ Bath Collection
- Hand Shower with Full Spray Pattern and Touch Clean Nubs

### STANDARD SPECIFICATIONS:

- Maximum 1.75 gpm @ 80 psi, 6.6 L/min @ 550 kPa
- Certified dual check valves
- 60" - 82" (1524 mm - 2083 mm) stretchable finished metal hose

Submitted Model No.: \_\_\_\_\_

Specific Features: \_\_\_\_\_



▲ Designate proper finish suffix

### Spray Pattern



Full Spray

### WARRANTY

- Lifetime limited warranty on parts (other than electronic parts and batteries) and finishes: or, for commercial users, for 5 years from date of purchase.
- 5 year limited warranty on electronic parts (other than batteries); or, for commercial users, for 1 year from the date of purchase. No warranty is provided on batteries.



### COMPLIES WITH:

- ASME A112.18.1 / CSA B125.1
- EPA WaterSense® - applies to handshower only (RP70609)