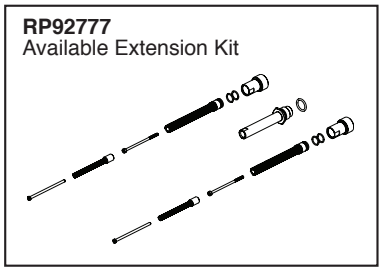
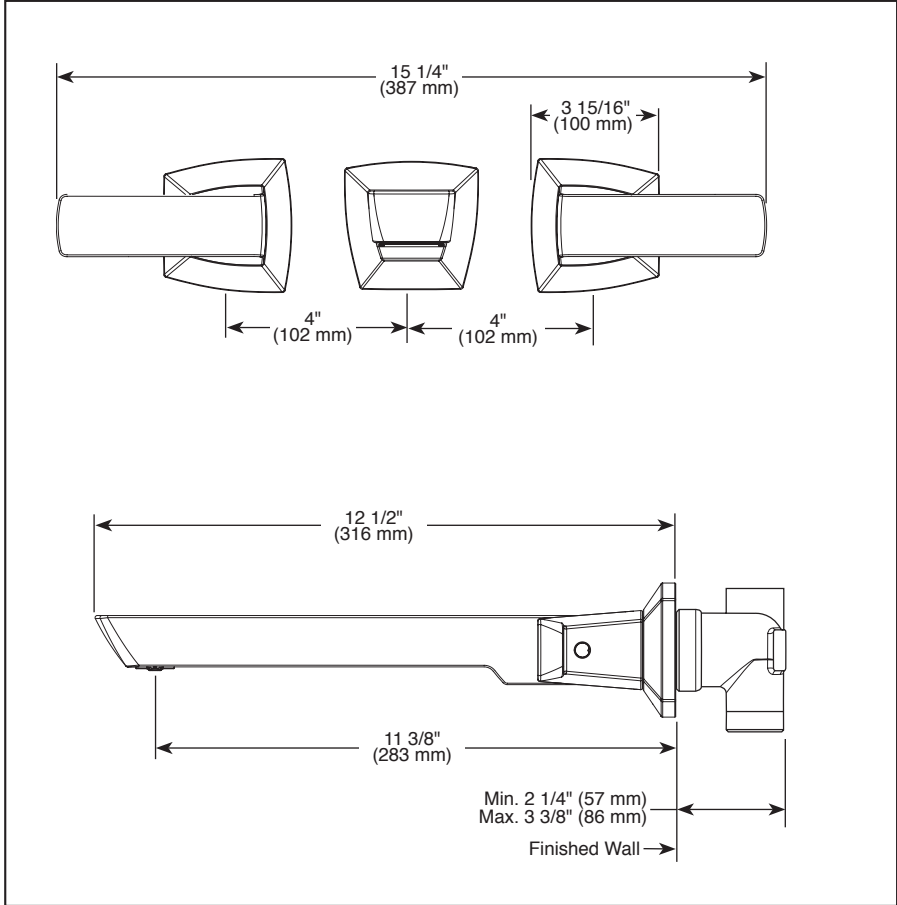


Submitted Model No.: _____

Specific Features: _____



▲ Designate proper finish suffix

BRIZO®

TWO HANDLE WALL MOUNT TUB FILLER

■ Vettis™ Bath Collection

STANDARD SPECIFICATIONS:


- Maximum 9.3 gpm @ 60 psi, 35.2 L/min @ 414 kPa
- Trim only, rough-in R70400 required for installation
- Three hole mount, 8" center-to-center
- Ceramic hot and cold mixing valves (90° max rotation)
- Optional RP92777 will accommodate up to Max. 4 1/2" depth - extension kit sold separately
- Solid brass construction
- Drain not included

WARRANTY

- Parts and Finish - Lifetime limited warranty; or for commercial purchasers, 10 years for multi-family residential (apartments and condominiums) and 5 years for all other commercial uses, in each case from the date of purchase.
- Electronic Parts and Batteries (if applicable) - 5 years from the date of purchase; or for commercial purchasers, 1 year from the date of purchase. No warranty is provided on batteries.

⚠ WARNING: Risk of personal injury. Do not use the tub filler as a grab bar or support bar. Install this product according to the installation guide.

COMPLIES WITH:

- ASME A112.18.1 / CSA B125.1
-  Indicates compliance to ICC/ANSI A117.1

Brizo Kitchen & Bath Company reserves the right (1) to make changes in specifications and materials, and (2) to change or discontinue models, both without notice or obligation. Dimensions are for reference only. See current full-line price book or www.brizo.com for finish options and product availability.