



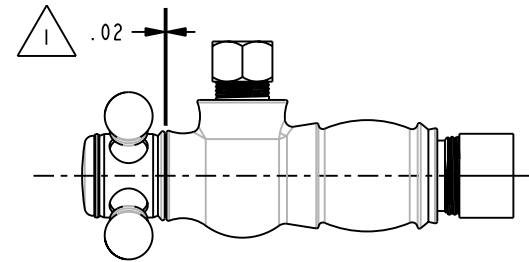
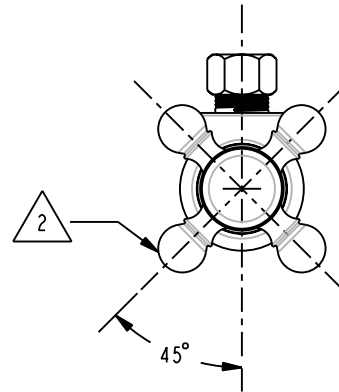
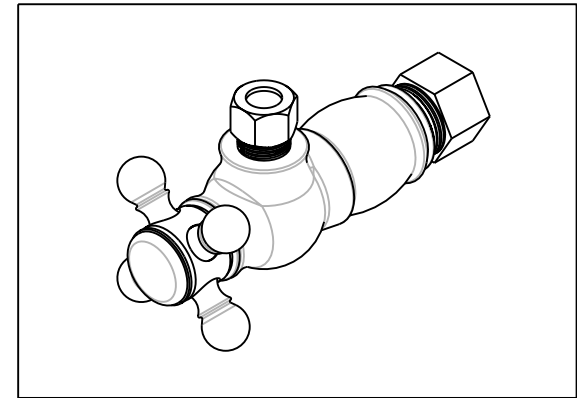
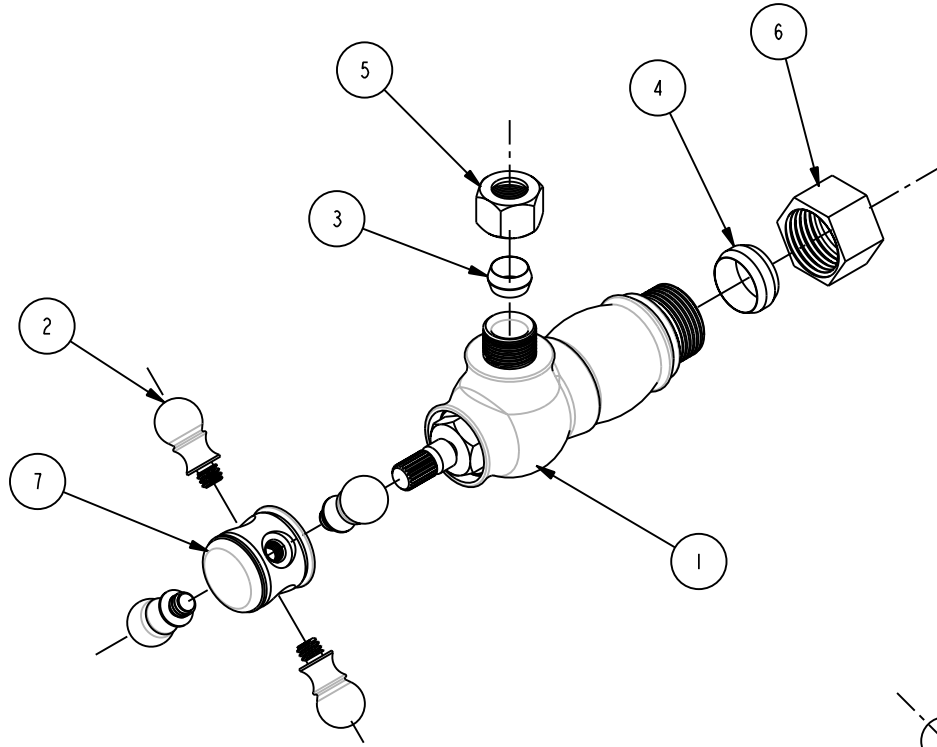
CLEARANCE GAP AFTER INSTALLATION



HANDLE ORIENTATION WHEN VALVE OPENED

### BILL OF MATERIAL (CURRENT LEVEL)

ITEM	PT/ASSY	DESCRIPTION	TYPE	QTY.
1	6-030	BODY ASSY, ANGLE, TRADITIONAL	ASSEMBLY	1
2	10851	HANDLE FINIAL	PART	4
3	50359	COMPRESSION RING	PART	1
4	50362	COMPRESSION RING	PART	1
5	50677	COMP NUT 3/8" Cu PIPE	PART	1
6	50678	COMP NUT 1/2" Cu PIPE	PART	1
7	50736	CENTER HUB, CROSS TRADITIONAL	PART	1



COPYRIGHT 2003 BRASSTECH, INC. THESE DRAWINGS AND THE DESIGNS DEPICTED HEREIN ARE THE PROPRIETARY PROPERTY OF BRASSTECH. ANY USE OR REPRODUCTION IS SUBJECT TO THE EXPRESS APPROVAL OF BRASSTECH. UNAUTHORIZED USE IS STRICTLY PROHIBITED. ALL RIGHTS RESERVED.

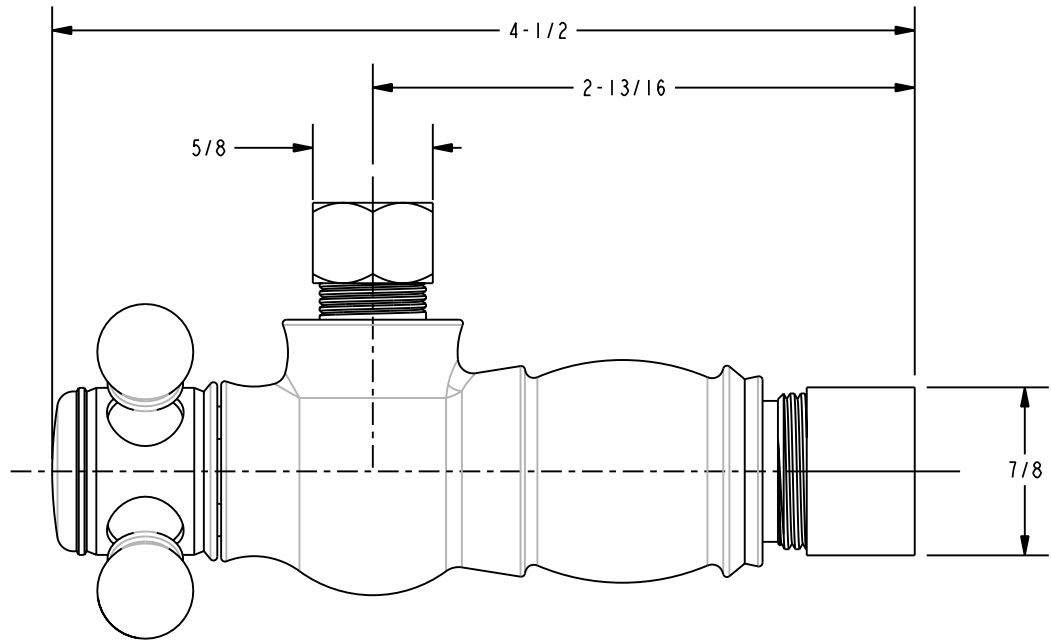
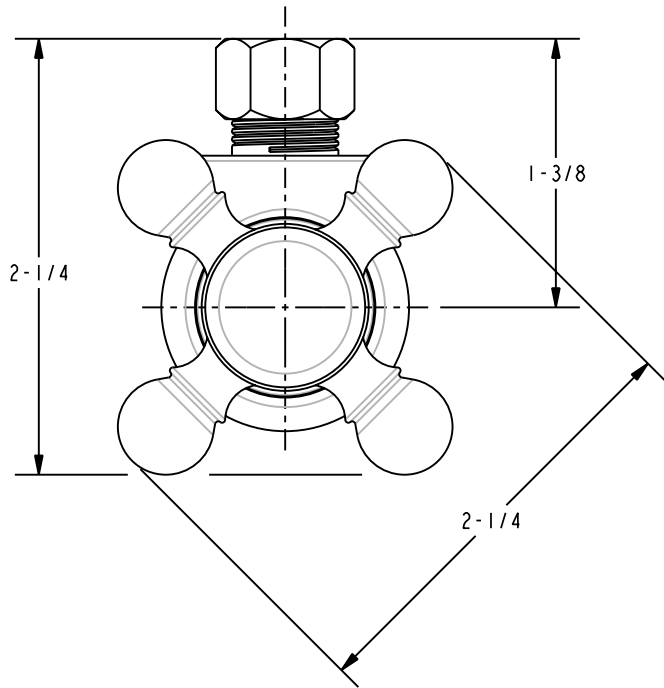
**BRASSTECH**  
INCORPORATED

2001 E. CARNEGIE AVE.  
SANTA ANA, CA 92705  
(949) 417-5207

ANGLE VALVE, CROSS TRADITIONAL  
1/2" TUBE INLET, 3/8" TUBE OUTLET

ASSY. NO.		403X-2			
SCALE .500	REF. -	SHEET 1 OF 2	REV	REV DESC	DATE
			-	EO-0392	07/20/04

**SPECIFICATION DWG**



DIMENSIONS ARE IN INCHES AND AN APPROXIMATION OF A TYPICAL INSTALLATION

COPYRIGHT 2004 BRASSTECH, INC. THESE DRAWINGS AND THE DESIGNS DEPICTED HEREIN ARE THE PROPRIETARY PROPERTY OF BRASSTECH. ANY USE OR REPRODUCTION IS SUBJECT TO THE EXPRESS APPROVAL OF BRASSTECH. UNAUTHORIZED USE IS STRICTLY PROHIBITED. ALL RIGHTS RESERVED.

<b>BRASSTECH</b>		2001 E. CARNEGIE AVE.	
INCORPORATED		SANTA ANA, CA 92705	
		(949) 417-5207	
DWG NO.	403X-2	REV	-
SCALE	1,000	REF.	-
		SHEET	2 OF 2