

4

3

2

1

BILL OF MATERIAL (CURRENT LEVEL)

ITEM	PT/ASSY	DESCRIPTION	TYPE	QTY.
1	50319	J - BEND 1.5 X 1.5 (300)	PART	1
2	50320	WLL BND 1.5 X 8 (304)	PART	1
3	91193	WSHR RBR 1-1/2"	PART	2
4	50321	LOCKNUT 1.25" BRS (301)	PART	2

D

D

C

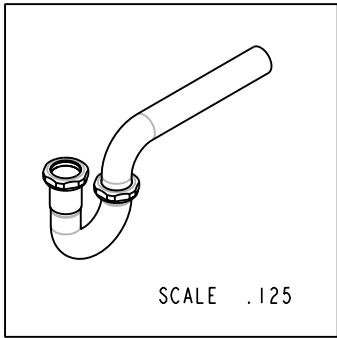
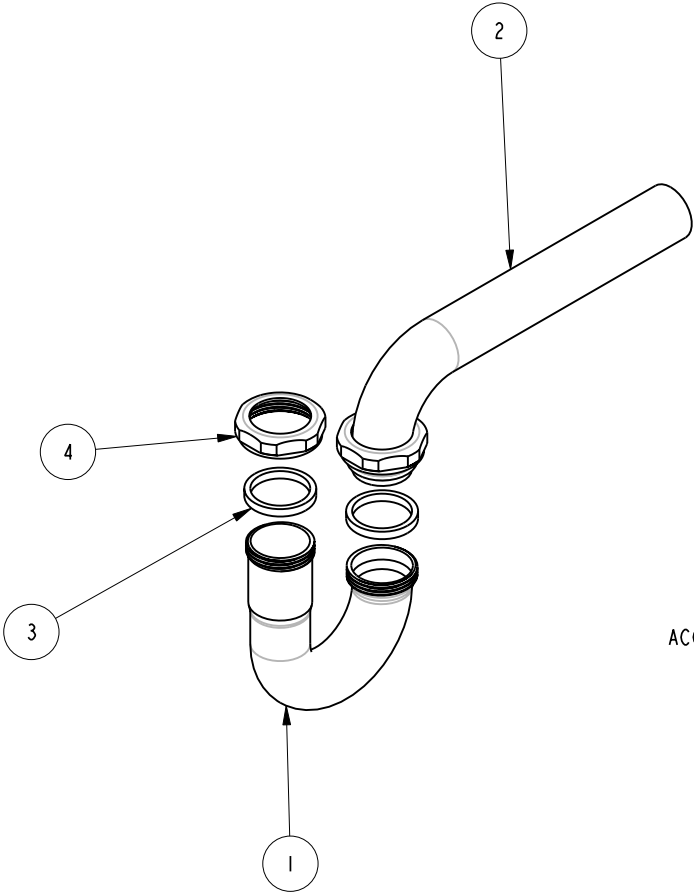
C

B

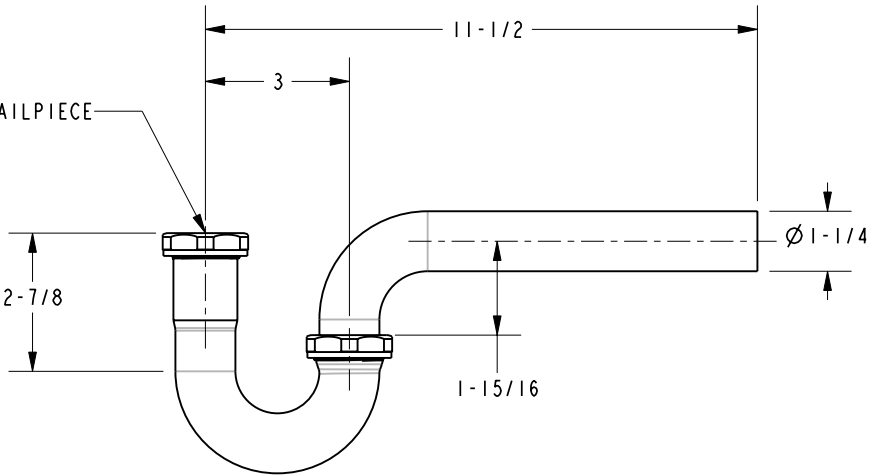
B

A

A



ACCEPTS 1-1/4" TAILPIECE



COPYRIGHT 2005 BRASSTECH, INC. THESE DRAWINGS AND THE DESIGNS DEPICTED HEREIN ARE THE PROPRIETARY PROPERTY OF BRASSTECH. ANY USE OR REPRODUCTION IS SUBJECT TO THE EXPRESS APPROVAL OF BRASSTECH. UNAUTHORIZED USE IS STRICTLY PROHIBITED. ALL RIGHTS RESERVED.

BRASSTECH
 INCORPORATED
 2001 E. CARNEGIE AVE.
 SANTA ANA, CA 92705
 (949) 417-5207

P-TRAP 1-1/4 W/O FLANGE

ASSY. NO.	301	-	-	-
SCALE .250	REF. -	SHEET 1	OF 1	REV
		REV	REV DESC	DATE
			RELEASED	PRE '95

4

3

2

1