

67" ISADORA DOUBLE ACRYLIC SLIPPER TUB

Cat. No.
ADTS67



L: 67"
W: 29-1/2"
H: 24" (from floor) short end
30" (from floor) tall end
18" (from bottom of tub) short end
24" (from bottom of tub) tall end

Water Depth: 11-1/2" to OF

The following is recommended for ADTS67 slipper tubs:

- Faucets: part #4602, #7393, or # 7410
- Freestanding Bath Supplies: #4502-PL
- Leg tub drain: part #5599

Gallon Capacity: 50
Shipping Weight: 150 lbs.
Empty Weight: 100 lbs.
Filled Weight: 518 lbs.

Features:

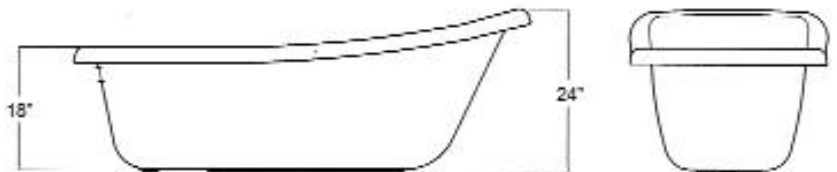
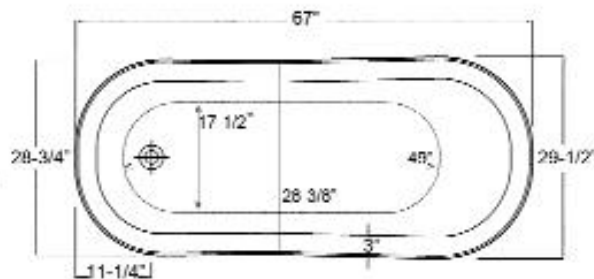
- ▶ Smooth white acrylic surface inside and out
- ▶ Double-walled acrylic
- ▶ No faucet holes
- ▶ Pre-drilled overflow hole
- ▶ Aluminum ball and claw feet
- ▶ Tubs ship with feet attached and leveled
- ▶ Tubs are thoroughly inspected before shipment



Foot Finishes:

- | | |
|------------------------------|---------------------------|
| BQ Bisque | BN Brushed Nickel |
| BL Black | CP Polished Chrome |
| BP Polished Brass | PN Polished Nickel |
| ORB Oil Rubbed Bronze | WH White |

Custom Colors Available (inside of tub is always white enamel):
Painted bathtubs are considered "special order" and are not returnable
\$160 Bisque or Black \$250 Designer Color



Dimensions are nominal and specifications subject to change without notice.

TUB FILLER WITH DIVERTER, HANDSHOWER SHOWERHEAD & RING

Cat. No.

4063



Features:

- ▶ Elephant spout has flow rate of 3.7 GPM
- ▶ Telephone style handshower with cradle and 59" hose
- ▶ Backflow preventor in handshower
- ▶ Sunflower showerhead has flow rate of 2.44 GPM
- ▶ Includes 62" riser and rectangular shower rod
- ▶ 6" Elbow mounts included
- ▶ ¼ Turn ceramic disc cartridges
- ▶ 7" Centers for deck mounting installation on acrylic or cast iron tubs
- ▶ Flow rate for handshower is 2.5 GPM
- ▶ Available with porcelain lever (**4063-PL**) or metal cross (**4063-MC**) handles
- ▶ Includes wall support **4195WS**
- ▶ Can be used with freestanding supplies (**#4502-PL**) or straight bath supplies (**#5577**) depending on application

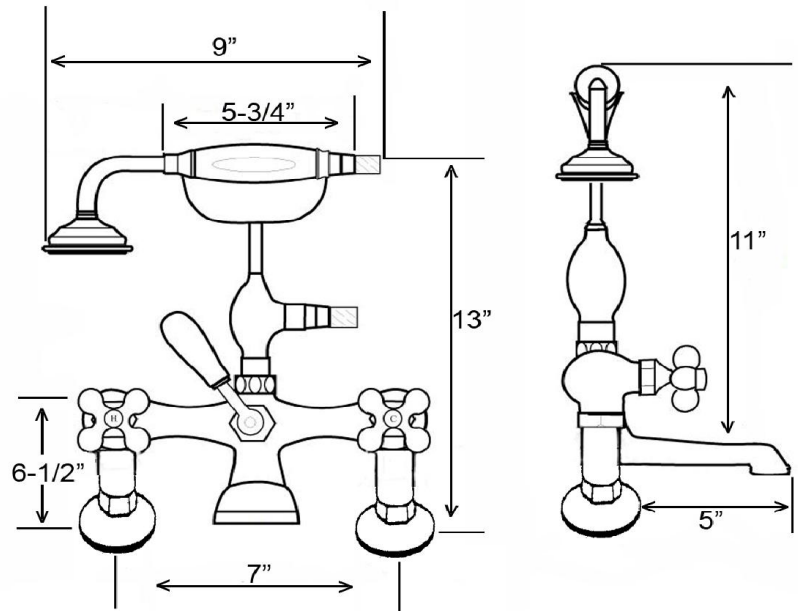
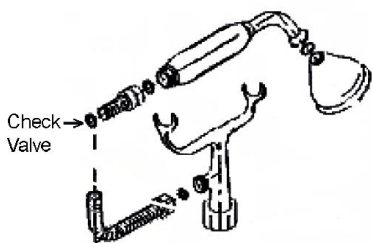
Finishes:

BP Polished Brass
CP Polished Chrome
PN Polished Nickel

SN Brushed Nickel
ORB Oil Rubbed Bronze



Shower Rod: 48"W x 24"D
Wall Support: 10"
Ceiling Support: 30"
Spout Length: 5"



Dimensions are nominal and may vary. Dimensions and specifications subject to change without notice.

FREESTANDING BATH SUPPLIES

Cat. No.
4502-PL



Features:

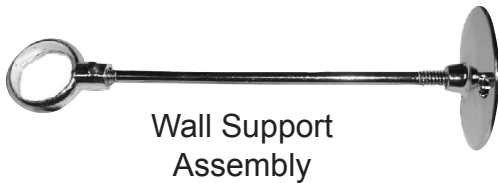
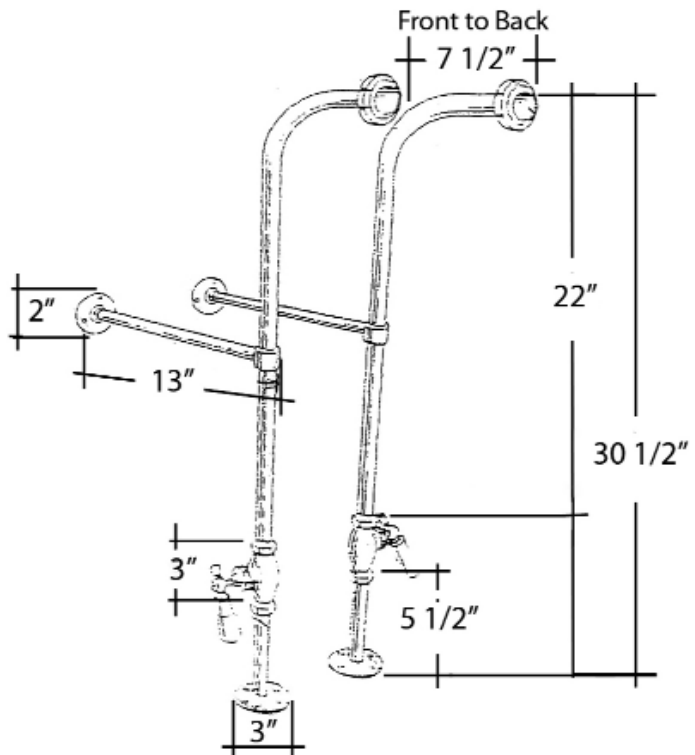
- ▶ 5" Shaft included
- ▶ Stops included
- ▶ 1/2" Pipe thread inlet
- ▶ 3/4" Flare outlet
- ▶ Wall support assemblies included
- ▶ Porcelain lever handles
- ▶ 0.800" Outer diameter
- ▶ 0.595" Inner diameter
- ▶ 0.090" Thickness of wall
- ▶ Available in 5 finishes

Finishes:

CP	Polished Chrome	PN	Polished Nickel
BP	Polished Brass	ORB	Oil Rubbed Bronze
SN	Brushed Nickel		

H: 30" (30 1/2" with nut)

OD: 1/2"



Wall Support
Assembly

Use on concrete floors requires special installation. We recommend using a plumbing professional.

Dimensions are nominal and may vary. Dimensions and specifications subject to change without notice.

LEG TUB DRAIN

Cat. No.
5599



Escutcheon Height: 1-1/4"

Features:

- ▶ Twist-and-lift stopper
- ▶ Includes deep escutcheon
- ▶ Height adjustable 15"-18"
- ▶ Depth adjustable 12"-14"
- ▶ Includes deep escutcheon
- ▶ Available in 5 Finishes

Finishes:

- CP Polished Chrome
- BP Polished Brass
- SN Brushed Nickel
- PN Polished Nickel
- ORB Oil Rubbed Bronze

#5599 Leg Tub Drain



Dimensions and specifications subject to change without notice.