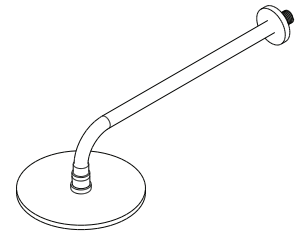


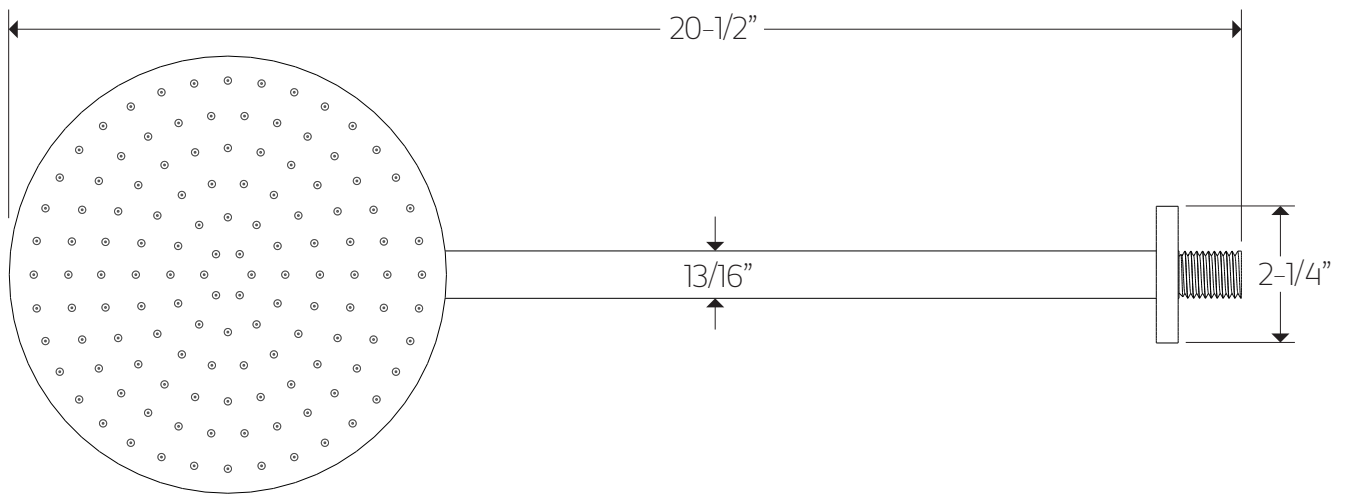
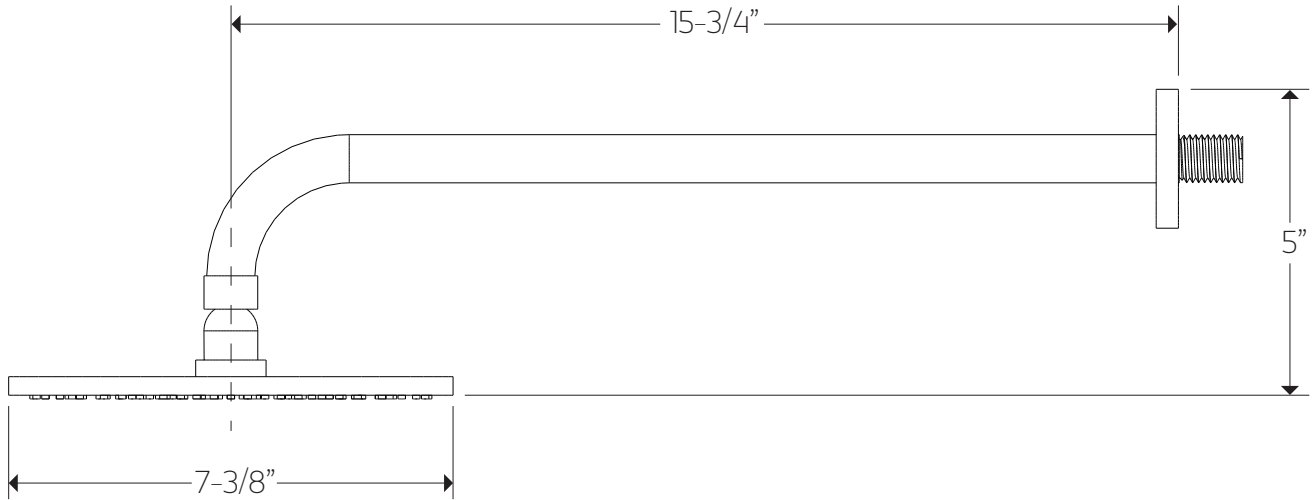
artos



F907-1

TECHNICAL DATA SHEET

8" shower rainhead, wall
mount rnd



artos

F907-1

OPERATING SPECIFICATIONS

8" shower rainhead, wall
mount rnd

FEATURES

Rainhead has a built-in matrix which pressurizes water and creates an even flow.

FLOW RATE

2 gpm

OPERATING PRESSURE

Recommended: 15 psi- 75 psi
Pressure above 90 psi, it may be necessary to install a pressure reducer.

MAX OPERATING TEMPERATURE

176°F

STANDARDS

ASSE 1016.ASME A112.18.1/CSA B123.1 Certified

CODES

CUPC Approved

