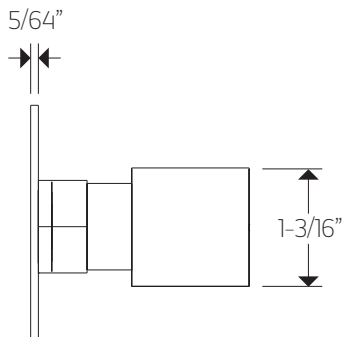
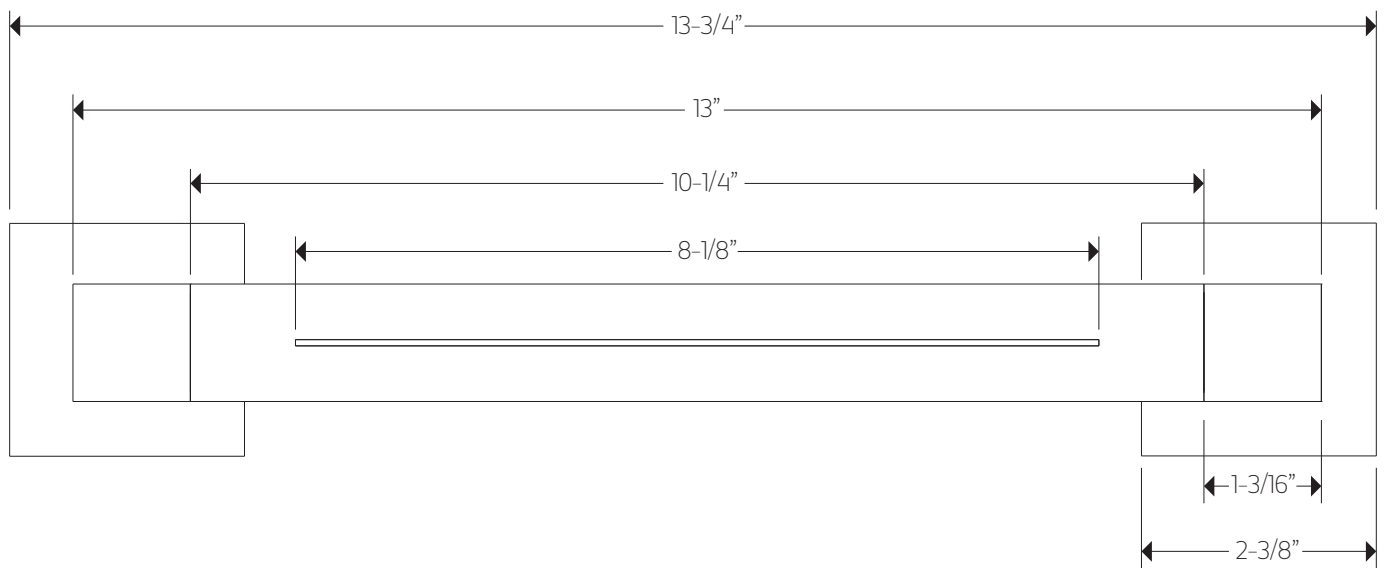




F203-6

TECHNICAL DATA SHEET

waterfall shower head



artos

F203-6

OPERATING SPECIFICATIONS

waterfall shower head

OPERATING PRESSURE

Minimum: 15 psi

Maximum: 75 psi

Above 90psi it may be necessary to install a pressure reducer

OPERATING TEMPERATURE

Maximum: 176°

FLOW RATE

2.0 USGPM

INLET/OUTLET

(2)1/2" Male NPT- Wall Connections

