

2603SGM – EVERYDAY TUB/SHOWERS

60 x 32 x 74 inches



FEATURES

- Tub-shower
- Smooth wall finish
- Ergonomic backrest
- Molded toiletry shelves
- Above-floor rough
- Slip-resistant textured bottom
- Left or right hand drain
- AcrylX™ applied acrylic surface
- Lifetime limited warranty

OPTIONS

- Grab bar reinforcement
- Factory installed assisted care grab bars
- Designer drain, waste & overflow
- Shower Door Series L0516

AQUATIC ADVANTAGE

- National distribution
- 7 manufacturing facilities
- Private fleet
- Centralized customer service
- Field support

COLOR OPTIONS

Stock	Upgraded	Premium
White	Almond Biscuit/Linen Bone	Black Mexican Sand Sand Bar Sterling Silver

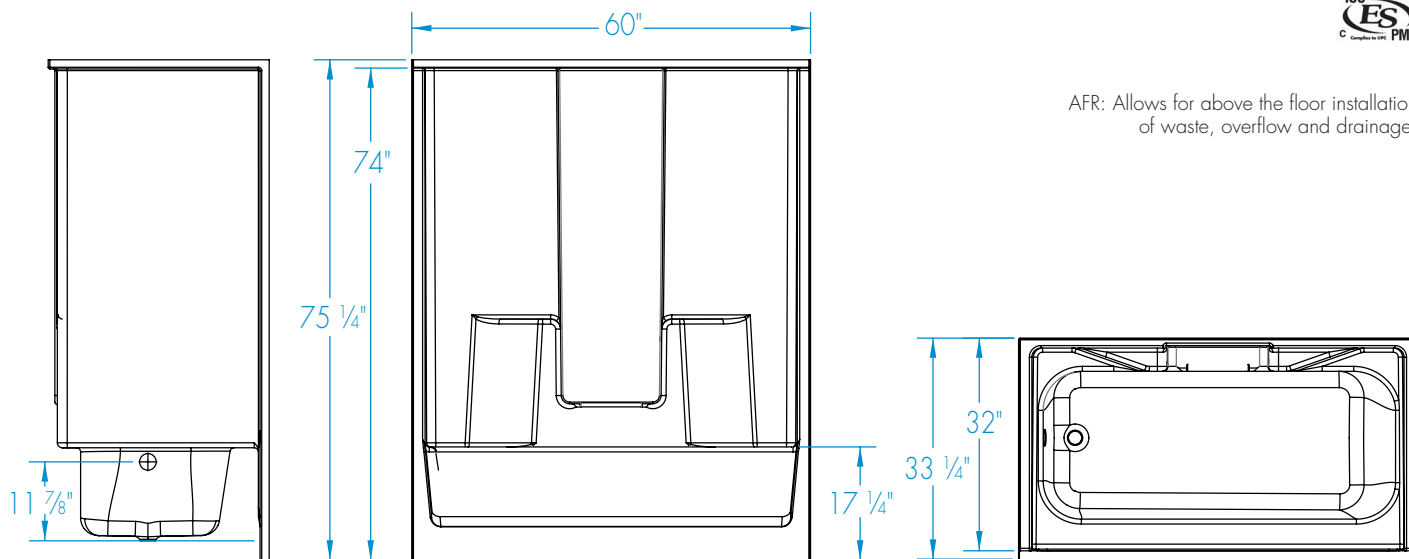


2603SGM

60 x 32 x 74
inches



AFR: Allows for above the floor installation of waste, overflow and drainage.



FEATURES lbs Dimensional Tolerance $\pm 3\%$. Dimensions needed for site preparation should be measured from the unit. Aquatic assumes no responsibility for preparatory work.

Model #	Material	Wall Finish	Jets	Motor	Controls	Drain	Net Wt.	Pkg. Wt.
AFR Tub-Shower #2603SGM	AcrylX™	Smooth	-	-	-	LH or RH	137	142

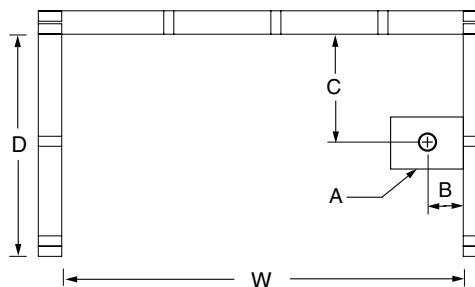
DIMENSIONS

Specifications	inches
Width: Overall / Net	60
Depth: Overall / Net	33 1/4 / 32
Height: Overall / Net	75 1/4 / 74
Enclosure Opening	56
Skirt Height	17 1/4
Drain Rough-In (from Back Wall)	15
Drain Rough-In (from Side Wall)	2 3/4
Drain: Diameter / Clearance	2 / 3 1/4

FRAMING DIMENSIONS

 inches

Type	D Depth	W Width	H Height	A	B	C
Alcove	33 1/4	60 1/8	-	Box Out	2 3/4	15



SUMP DATA

Top of Drain to Bottom of Overflow	Capacity to Overflow gal	Min. Operating Capacity gal	WIDTH @ centerline		DEPTH @ centerline	
			Top	Bottom	Top	Bottom
9 7/8	42	-	53 1/2	45 3/4	22 1/4	20 3/4