

# GARDENIA I – EVERYDAY BATHS

54 ¼ x 41 x 23 ⅛ inches

SOAKER MODEL #2354410

WHIRLPOOL MODEL #2354411



## AQUATIC ADVANTAGE

- National distribution
- 7 manufacturing facilities
- Private fleet
- Centralized customer service
- Field support

## COLOR OPTIONS

Stock	Upgraded	Premium
White	Almond Biscuit/Linen Bone	Black Mexican Sand Sand Bar Sterling Silver

## FEATURES

- Garden tub
- Integral tiling flange (3T)
- 6-½" wainscot
- Ergonomic backrest
- Integral skirt
- Slip-resistant textured bottom
- Center rear drain
- AcrylX™ applied acrylic surface
- Lifetime limited warranty

### Whirlpool Features:

- 4 directional hydrotherapy jets
- Available in White and Biscuit/Linen only
- Color matched trim
- Pneumatic on/off control
- Advanced safety suction system

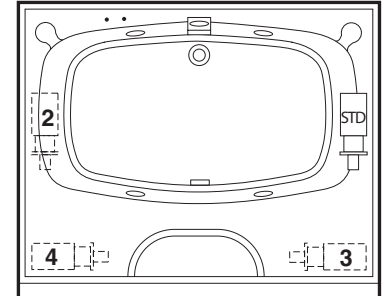
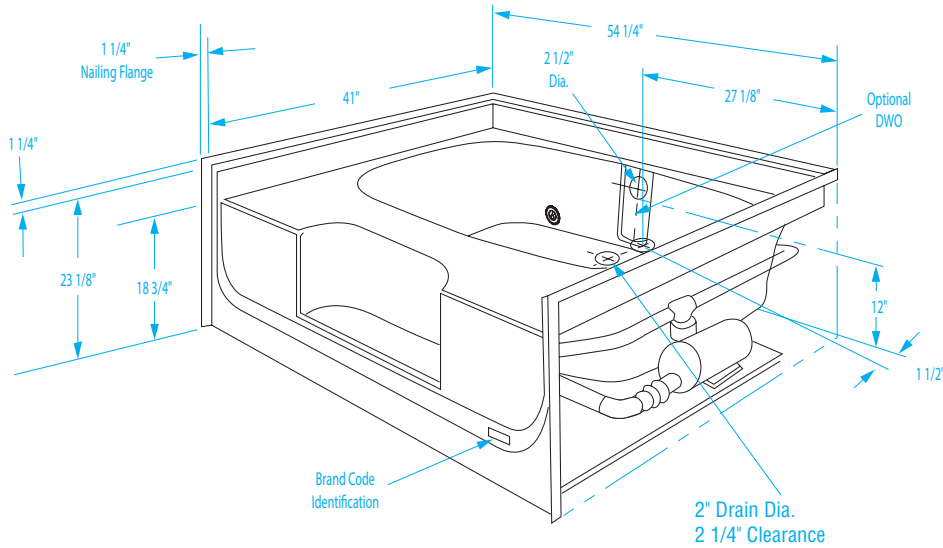
## OPTIONS

- Designer drain, waste & overflow



# GARDENIA I

54 1/4 x 41 x 23 1/8  
inches



**FEATURES** lbs      Dimensional Tolerance  $\pm 3/8"$ . Dimensions needed for site preparation should be measured from the unit. Aquatic assumes no responsibility for preparatory work.

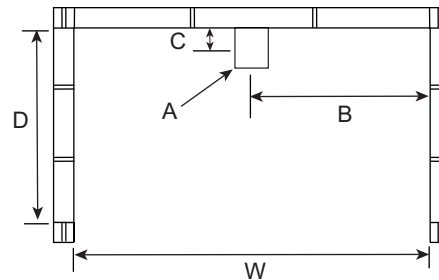
Model #	Material	Jets	Motor	Controls	Drain	Net Wt.	Pkg. Wt.
Soaker #2354410	AcrylX™	–	–	–	Center Rear	98	103
Whirlpool #2354411	AcrylX™	4	63 GPM	Pneumatic	Center Rear	148	153

## DIMENSIONS

Specifications	inches
Width: Overall / Net	54 1/4 (1380)
Depth: Overall / Net	42 1/4 / 41
Height: Overall / Net	24 3/8 / 23 1/8
Enclosure Opening	50 1/4
Skirt Height	18 3/4
Drain Rough-In (from Back Wall)	1 1/2
Drain Rough-In (from Side Wall)	27 1/8
Drain: Diameter / Clearance	2 / 2 1/4

## FRAMING DIMENSIONS inches

Type	D Depth	W Width	H Height	A	B	C
Alcove	42 1/4	54 3/8	22 7/8	Box Out	27 1/8	1 1/2



## SUMP DATA

Top of Drain to Bottom of Overflow	Capacity to Overflow gal	Min. Operating Capacity gal	WIDTH @ centerline		DEPTH @ centerline	
			Top	Bottom	Top	Bottom
12	57	44	50 1/4	47 3/4	25	22 1/2